

# OKI Semiconductor

## ML2251/52/53/54/56-XXX,

## ML22Q54/Q58

**FEDL2250DIGEST-09**

Issue Date: Sep. 15, 2005



### 2-Channel Mixing Oki ADPCM Algorithm-Based Speech Synthesis LSI

This document contains minimum specifications. For full specifications, please contact your nearest Oki office or representative.

#### GENERAL DESCRIPTION

The ML2250 family is a 2-channel mixing speech synthesis device with an on-chip voice data (i.e., phrases) storing mask ROM and a flash memory. Besides playing the built-in voice data, this device can output voice data that is input from outside the device. This ML2250 family allows selecting the playback method from the 8-bit PCM, non-linear 8-bit PCM, 16-bit PCM, 2-bit ADPCM2, and 4-bit ADPCM2 algorithms. And the sound volume is adjustable as well.

The ML2250 family incorporates a 14-bit D/A converter and low-pass filter.

It is easy to configure a speech synthesizer by externally connecting a power amplifier and a CPU to the ML2250 family.

The ML2250 family line-up includes 2 types of products: with on-chip mask ROM, and with on-chip flash memory.

- ML2251/52/53/54/56-XXX

This is a CMOS single chip speech synthesis device with an on-chip mask ROM. Products with 5 types of mask ROMs are available in the ML2250 family depending upon the total playback time length.

- ML22Q54/Q58

The ML22Q54/Q58 is a speech synthesis device with a 4-Mbit flash memory built in. The voice data can be easily written to the flash memory using a special tool. The on-chip flash memory product is suitable for the diversified low volume production or short delivery time applications that the on-chip mask ROM product cannot support. The ML22Q54/Q58 is most suitable for evaluation because the circuit configuration is the same as the on-chip mask ROM product. As it is easy to write to build in-flash memory, it is able to combine fixed message and variable message.



Schareggstrasse 3, CH-5506 Mägenwil

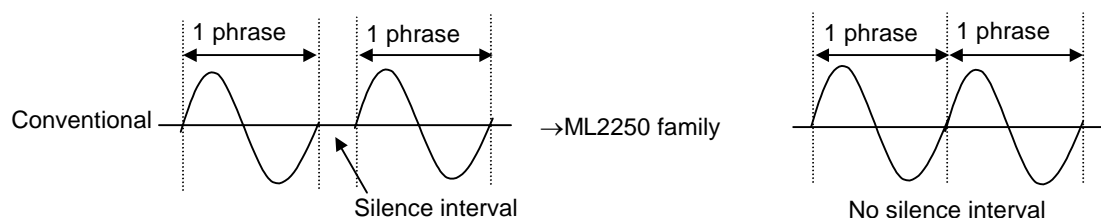
Tel. +41 62 896 00 48, Fax. +41 62 896 25 80

info@admatec.ch, www.admatec.ch

Table below summarizes the points of difference between the ML2250 family and currently manufactured products with a ROM built in.

	ML2250 family	MSM6650 family	MSM9800 family	ML2210 family
Interface	Parallel or serial	Parallel, serial or stand-alone	Parallel or stand-alone	Serial
Playback method	2-bit ADPCM2 4-bit ADPCM2 8-bit PCM 8-bit non-linear PCM 16-bit PCM	4-bit ADPCM 8-bit PCM	8-bit PCM 8-bit non-linear PCM	4-bit ADPCM 8-bit PCM 8-bit non-linear PCM
Max. number of phrases	256	127	63	247
Sampling frequency (kHz)	4.0/5.3/6.0/6.4/8.0/10.7/12.0/12.8/16.0/21.3/24.0/25.6/32.0/42.7/48.0	4.0/5.3/6.4/8.0/10.7/12.8/16.0/32.0	4.0/5.3/6.4/8.0/10.7/12.8/16.0	4.0/5.3/6.4/8.0/10.7/12.8/16.0
Clock frequency	4.096 MHz	256 kHz (CR oscillation) 4.096 MHz (XT)	256 kHz (CR oscillation) 4.096 MHz (XT)	4.096 MHz
D/A converter	Voltage type: 14 bits	Voltage type: 12 bits	Current type: 10 bits	Current type: 12 bits
Low-pass filter	FIR type interpolation filter	Secondary comb filter	Primary comb filter	Secondary comb filter
Number of channels	2 channels	2 channels	1 channel	1 channel
Phrase control table	Both 2 channels without user definable phrase restrictions	Can edit 8 phrases (1 channel only)	Can edit 8 phrases	None
Volume adjustment	29 steps (-2 dB/-5 dB steps)	4 steps (-6 dB steps)	Set at VREF.	Set at VREF.
Repeat function	No limit	4 types	None	None
STOP	Each channel independent	Simultaneous channels 1 and 2	Available	Available
Seam silence interval in continuous playback	0 (Note)	4 sampling cycles	3 sampling cycles	4 sampling cycles
Others	External data input possible	—	—	—

Note: Continuous playback shown in the figure below is possible.

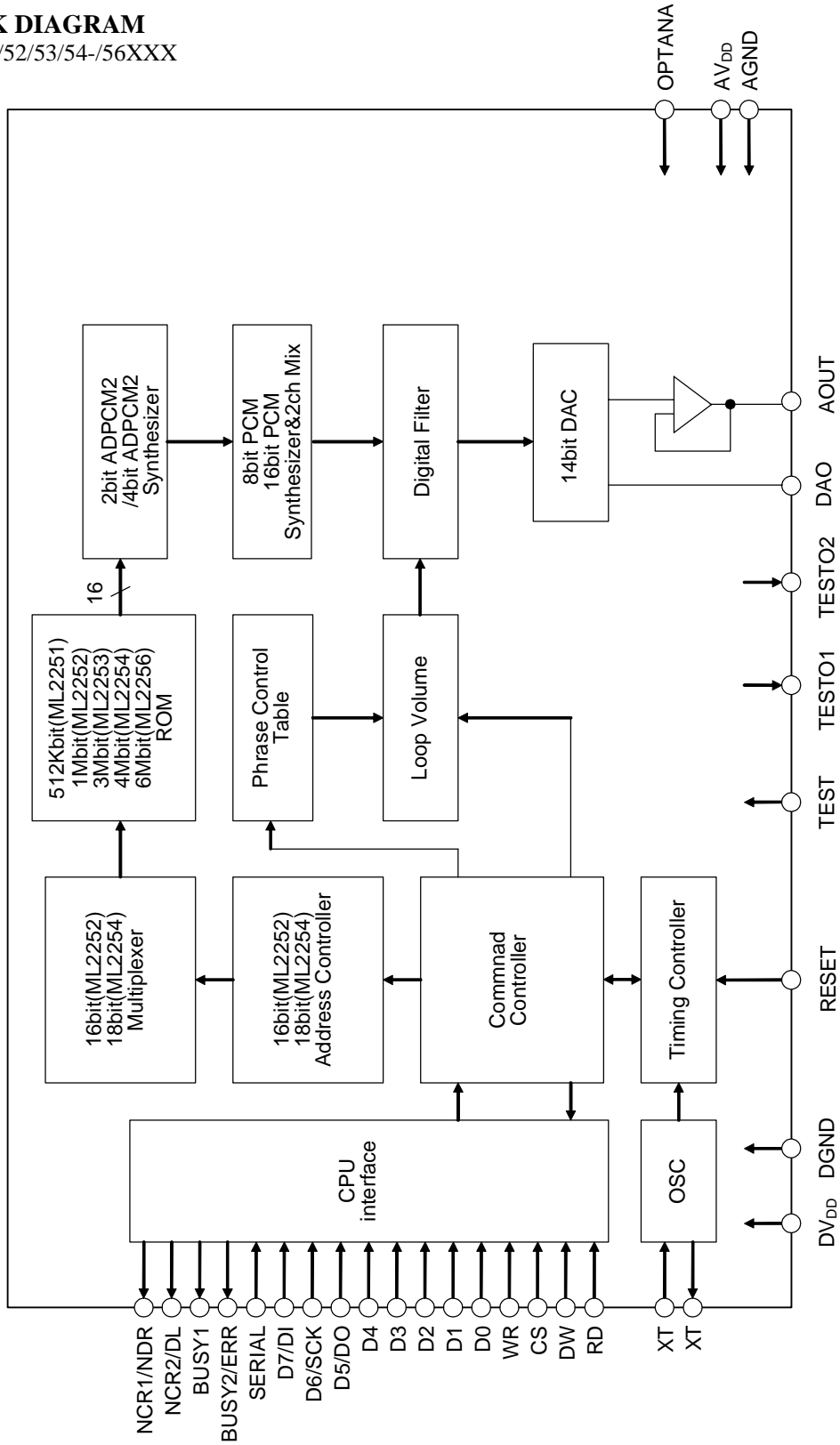


## FEATURES

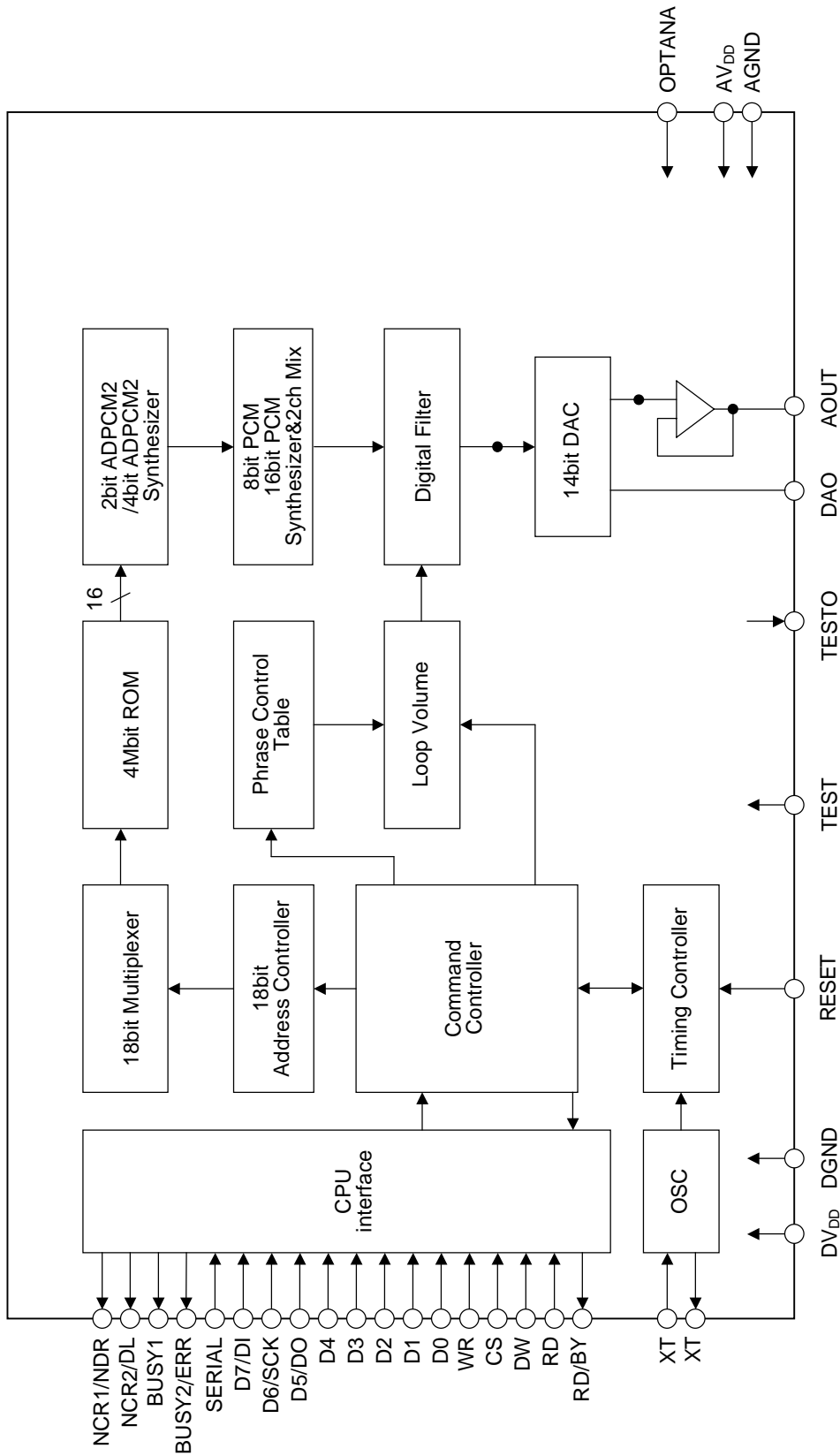
Type	ROM capacity	Maximum playback time length (sec) (In 4-bit ADPCM2)				
		$F_{\text{SAM}} = 4.0 \text{ kHz}$	$F_{\text{SAM}} = 6.4 \text{ kHz}$	$F_{\text{SAM}} = 8.0 \text{ kHz}$	$F_{\text{SAM}} = 16 \text{ kHz}$	$F_{\text{SAM}} = 32 \text{ kHz}$
ML2251	512 Kbit	31.7	19.8	15.8	7.9	3.9
ML2252	1 Mbit	64.5	40.3	32.2	16.1	8.0
ML2253	3 Mbit	195.5	122.2	97.7	48.8	24.4
ML2254	4 Mbit	261.1	163.2	130.5	65.2	32.6
ML22Q54	4 Mbit	261.1	163.2	130.5	65.2	32.6
ML2256	6 Mbit	392.1	245.1	196.0	98.0	49.0
ML22Q58	8 Mbit	522.2	326.4	261.0	130.4	65.2

- Non-linear 8-bit PCM, 8-bit PCM, 16-bit PCM, 2-bit ADPCM2, and 4-bit ADPCM2 algorithms
- Serial input/parallel input selectable
- Phrase control table function i.e., user definable phrase control table function
- 2 channels mixing function
- Master clock frequency: 4.096 MHz
- Sampling frequency: 4.0 kHz, 5.3 kHz, 6.0kHz, 6.4 kHz, 8.0 kHz, 10.7 kHz, 12.0kHz, 12.8 kHz, 16.0 kHz, 21.3 kHz, 24.0kHz, 25.6 kHz, 32.0 kHz, 42.7 kHz, 48 kHz
- Maximum number of phrases: 256 phrases
- Sound volume adjustment function built in (2 sounds independently adjustable in 29 steps)
- External voice data can be input
- 14-bit D/A converter built in
- Built-in low-pass filter: Digital filter
- Package: 44-pin plastic QFP (QFP44-P-910-0.80-2K)  
(ML2251-XXXGA/ ML2252-XXXGA/ ML2253-XXXGA/  
ML2254-XXXGA /ML2256-XXXGA / ML22Q54GA/ML22Q58GA)
- 33-pin W-CSP (P-VFLGA33-5.03X5.78-0.80-W)  
(ML2253-XXXHB/ ML2254-XXXHB)  
(ML2256-XXXHB)

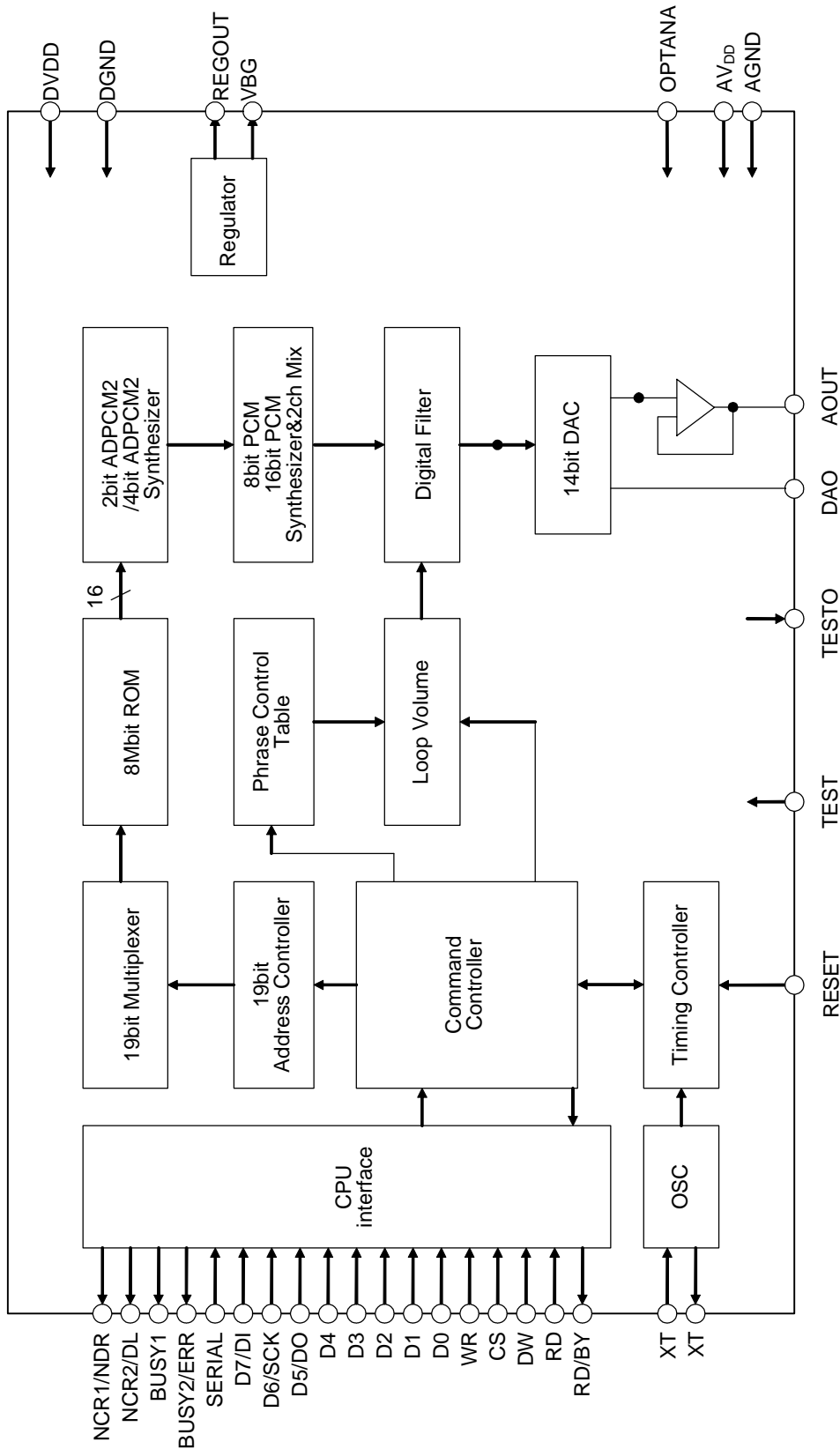
**BLOCK DIAGRAM**  
ML2251/52/53/54-/56XXX



ML22Q54



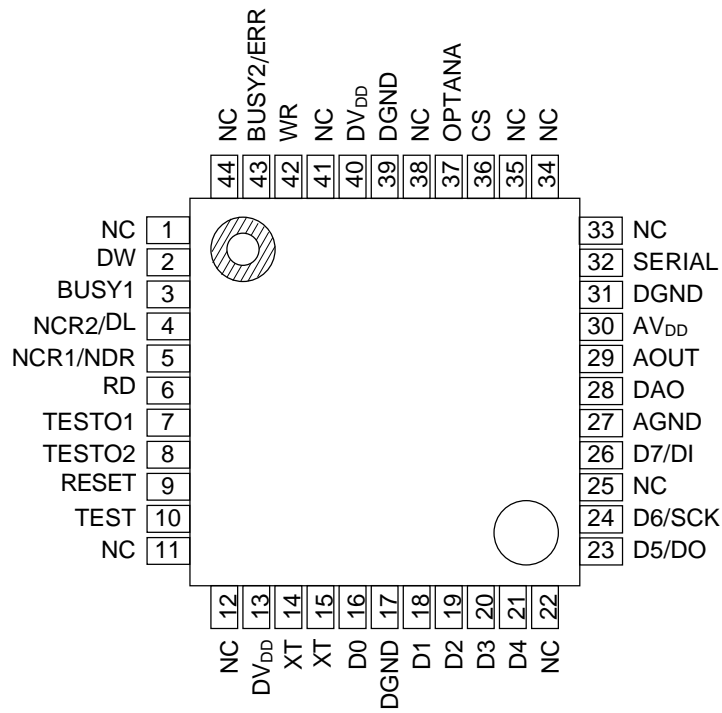
ML22Q58



**PIN CONFIGURATION (TOP VIEW)**

ML2251/52/53/54/56-XXXGA

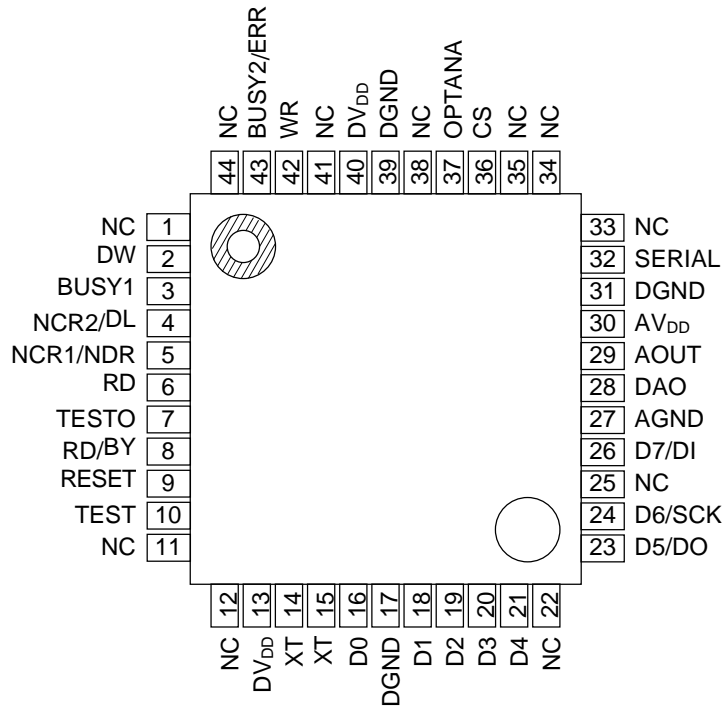
**44-pin plastic QFP**



NC: No Connection

ML22Q54GA

**44-pin plastic QFP**

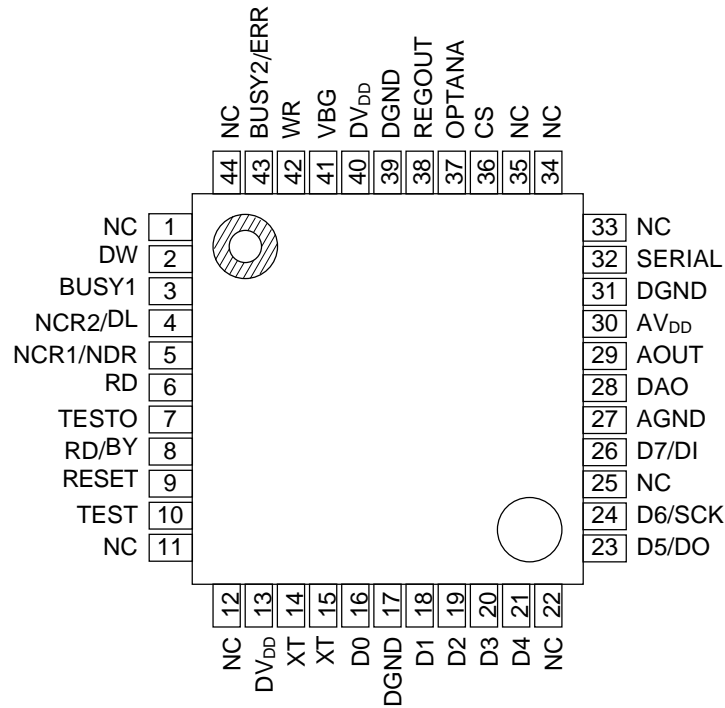


NC: No Connection



ML22Q58GA

**44-pin plastic QFP**



NC: No Connection

ML2253/54-XXXHB

**33pin W-CSP(Bottom View)**

D5/DO	D3	D1	DGND	XT	XT	6	
D6/SCK	D4	D2	D0	DVDD	TEST	5	
AGND	X		D7/DI	RESET	TESTO2	4	
DAO	AOUT	X		NCR1/NDR	TESTO1	RD	3
AVDD	DGND	CS	WR	BUSY1	NCR2/DL	2	
SERIAL	OPTANA	DGND	DVDD	DW	BUSY2/ERR	1	
F	E	D	C	B	A		

ML2256-XXXHB

**33pin W-CSP**  
 (Bottom View)

D5	D3	GND	XT	XT	7
D6	D4	D1	D0	VDD	6
AGND	D7	D2	TEST	RESET	5
DAO	X	TESTO2	TESTO1	RD	4
AOUT	X	DW	NCR2/DL	NCR1/NDR	3
AVDD	SERIAL	OPTANA	WR	BUSY1	2
GND	CS	GND	VDD	BUSY2/ERR	1
E	D	C	B	A	

## PIN DESCRIPTIONS-1

ML2251/52/53/54/56-XXXGA and ML2253/54/56-XXXHB Common Pins

QFP Pin	WCSP pin	ML2256 WCSP pin	Symbol	Type	Description
43	A1	A1	BUSY2/ERR	O	When using the built-in ROM for voice output, this pin outputs "L" level while channel 2 side processes a command and while plays back voice. Works as ERR pin when using the EXT command for voice output. If an abnormality occurred in the transfer of data, the pin will output "L" level and the voice output may become noisy. "H" level at power on.
3	B2	A2	BUSY1	O	Outputs "L" level while the channel 1 side processes a command and plays back voice. "H" level at power on.
4	A2	B3	NCR2/DL	O	The command input of channel 2 side is valid at "H" level when using the built-in ROM for voice output. Works as DL pin when using EXT command for the voice output. This pin outputs the signal that captures voice data to inside. The data is captured inside on the rising edge of DL. "H" level at power on.
5	C3	A3	NCR1/NDR	O	The command input of channel 1 side is valid at "H" level when using the built-in ROM for voice output. Works as NDR pin when using EXT command for the voice output. The voice data input is valid at "H" level. "H" level at power on.
9	B4	A5	RESET	I	At "L" level input, the device enters the initial state; the oscillation stops, and AOUT output and DAQ output are GND level at this time.
10	A5	B5	TEST	I	Test pin for the device. Input "L" level to this pin. This pin has a pull-down resistor built in.
14	A6	A7	XT	I	Wired to a crystal or ceramic oscillator. A feedback resistor of around 1 M $\Omega$ is built in between this XT pin and XT pin (pin 15). When using an external clock, input the clock from this pin.
15	B6	B7	XT	O	Wired to a ceramic or crystal oscillator. When using an external clock, keep this pin open.
16 18 19 20	E6 D5 D6 C5	D7 C5 C6 B6	D3 D2 D1 D0	I/O	CPU interface data bus pins in the parallel input interface. Channel status output pins at RD pin = "L" level. In the serial input interface, keep these pins at "L" level.
21	E5	D6	D4	I/O	CPU interface data bus pin in the parallel input interface. When RD pin is at "L" level, this pin D4 usually outputs "L" level. In the serial input interface, keep this pin at "L" level.
23	F6	E7	D5/DO	I/O	CPU interface data bus pin in the parallel input interface. When RD pin is at "L" level, this D5/DO pin usually outputs "L" level. Works as channel status output pin in the serial interface. When CS and RD pins are "L" level, the status of each channel is output serially from this D5/DO pin in synchronization with SCK clock.

QFP Pin	WCSP pin	ML2256 WCSP pin	Symbol	Type	Description
24	F5	E6	D6/SCK	I/O	CPU interface data bus pin in the parallel input interface. Usually outputs "L" level when RD = "L" level. Works as serial clock input pin in the serial input interface. When the SCK input is at "L" level on the falling edge of WR, RD, DW, the DI input is captured in the device on the rising edge of SCK clock. And when the SCK input is at "H" level on the falling edge of WR, RD, DW, the DI input is captured on the falling edge of SCK clock.
26	C4	D5	D7/DI	I/O	CPU interface data bus pin in the parallel input interface. Usually output "L" level when RD is at "L" level. Works as serial data input pin in the serial input interface.
28	F3	E4	DAO	O	DAO pin outputs analog signal of 14-bit DAC.
29	E3	E3	AOUT	O	AOUT pin usually outputs the analog signal of 14-bit DAC via voltage follower.
32	F1	D2	SERIAL	I	CPU interface switching pin. Serial input interface at "H" level. And parallel input interface at "L" level.
36	D2	D1	CS	I	CPU interface chip select pin. When CS pin is at "H" level, the WR, DW, and RD signals cannot be input to the device.
37	E1	C2	OPTANA	I	Keep this pin "L" level. The analog signal of 14-bit DAC is output from DAO pin and from AOUT pin via voltage follower.
42	C2	B2	WR	I	CPU interface write signal. When CS pin is at "H" level, the WR signal cannot be input to the device.
2	B1	C3	DW	I	Data write signal when using EXT command for the voice output. Set the pin to "H" level when not using EXT command. When CS pin is at "H" level, the DW signal cannot be input to the device. This pin has a pull-up resistor built in.
6	A3	A4	RD	I	CPU interface read signal. When CS pin is at "H" level, the RD signal cannot be input to the device. This pin has a pull-up resistor built in.
7, 8	B3, A4	B4 C4	TESTO1 TESTO2	O	Output pin for testing. Keep this pin open.
30	F2	E2	AV <sub>DD</sub>	—	Analog power supply pin. Insert a 0.1 μF or larger bypass capacitor between this pin and AGND pin.
13, 40	B5, C1	A6,B1	DV <sub>DD</sub>	—	Digital power supply pin. Insert a 0.1 μF or larger bypass capacitor between this pin and DGND pin.
27	F4	E5	AGND	—	Analog ground pin.
17, 31, 39	C6, D1, E2	C1,C7,E1	DGND	—	Digital ground pin.

## PIN DESCRIPTIONS-2

ML22Q54/Q58GA Common Pins  
44-pin plastic QFP

Pin	Symbol	Type	Description
43	BUSY2/ERR	O	When using the built-in ROM for voice output, this pin outputs "L" level while channel 2 side processes a command and while plays back voice. Works as ERR pin when using EXT command for the voice output. If an abnormality occurred in the transfer of data, the ERR pin outputs "L" level and the voice output may become noisy. "H" level at power on.
3	BUSY1	O	Outputs "L" level while the channel 1 side processes a command and while plays back voice. "H" level at power on.
4	NCR2/DL	O	The input command of channel 2 is valid at "H" level when using the built-in ROM for voice output. DL pin when using EXT command for the voice output. It outputs the voice data capture signal. The data is captured on the rising edge of DL. "H" level at power on.
5	NCR1/NDR	O	The command input of channel 1 side is valid at "H" level when using the built-in ROM for voice output. NDR pin when using EXT command for the voice output. The voice data input is effective at "H" level. "H" level at power on.
9	RESET	I	When "L" level is input to this pin, the device is reset, the oscillation stops, and AOUT and DAQ outputs go into GND level.
10	TEST	I	Test pin for the device. Input "L" level to this pin. This pin has a pull-down resistor built in.
14	XT	I	Wired to a crystal or ceramic oscillator. A feedback resistor of around 1 MΩ is built in between this XT pin and XT pin (pin 15). When using an external clock, input the clock from this pin.
15	XT	O	Wired to a ceramic or crystal oscillator. When using an external clock, keep this pin open.
16 18 19 20	D3 D2 D1 D0	I/O	CPU interface data bus pins in the parallel input interface. Channel status output pins when RD is at "L" level. The pins output the flash memory data when reading the built-in flash memory data. In the serial input interface, keep these pins at "L" level.
21	D4	I/O	CPU interface data bus pin in the parallel input interface. The pin outputs flash memory data when reading the built-in flash memory data. When RD is at "L" level other than when reading the flash memory data, this pin usually outputs "L" level. In the serial input interface, keep this pin at "L" level.
23	D5/DO	I/O	CPU interface data bus pin in the parallel input interface. The pin outputs flash memory data when reading the built-in flash memory data. When RD is at "L" level other than when reading the flash memory data, this pin usually outputs "L" level. Channel status output pin in the serial input interface. When CS and RD are at "L" level, this D5/DO pin serially outputs the status of each channel in synchronization with SCK clock. When reading data of the built-in flash memory, the pin will output serially the flash memory data.

Pin	Symbol	Type	Description
24	D6/SCK	I/O	Works as CPU interface data bus pin in parallel input interface. Works as flash memory data output pin when reading the built-in flash memory data. When RD is at "L" level other than when reading the flash memory data, this D6/SCK pin usually outputs "L" level. Works as serial clock input pin in the serial input interface. When the SCK input is at "L" level on the falling edge of WR, RD, DW, the DI input is captured in device on the rising edge of SCK clock. And when the SCK input is at "H" level on the falling edge of CS, the DI input is captured on the falling edge of SCK clock.
26	D7/DI	I/O	Works as CPU interface data bus pin in the parallel input interface. Works as flash data output pin when reading the built-in flash memory data. When RD is at "L" level at times other than reading the flash memory data, this D7/DI pin usually outputs "L" level. Works as serial data input pin in the serial input interface.
28	DAO	O	DAO pin outputs the 14-bit DAC analog signal.
29	AOUT	O	AOUT pin outputs the 14-bit DAC analog signal via voltage follower.
32	SERIAL	I	CPU interface switching pin. At "H" level: Serial input interface. At "L" level: Parallel input interface.
36	CS	I	CPU interface chip select pin. When CS pin is at "H" level, the WR, DW, and RD signals cannot be input to the device.
37	OPTANA	I	Keep this pin "L" level. 14-bit DAC analog signal is output from DAO pin and 14-bit DAC analog signal is output from AOUT pin via the voltage follower.
42	WR	I	CPU interface write signal. When CS pin is at "H" level, the WR signal cannot be input to the device.
2	DW	I	Data write signal at EXT command and Flash I/F command. When the EXT and Flash I/F commands are not used, keep this pin at "H" level. When CS pin is at "H" level, the DW signal cannot be input to the device. This pin has a pull-up resistor built in.
6	RD	I	CPU interface read signal. This pin is used when reading the status signal of each channel or when reading data of the built-in flash memory. When not in use, keep this pin to "H" level. This pin has a pull-up resistor built in.
7	TESTO	O	Output pin for testing. Keep this pin open.
8	RD/BY	O	Output pin to indicate the automatic erase/write status of the built-in flash memory. Outputs "L" level during erase or programming cycle to indicate the busy state. Goes to "H" level at the end of the erase or programming cycle and enters into the ready state.

Pin	Symbol	Type	Description
30	AV <sub>DD</sub>	—	Analog power supply pin. Insert a 0.1 $\mu$ F or larger bypass capacitor between this pin and AGND pin.
13, 40	DV <sub>DD</sub>	—	Digital power supply pin. Insert a 0.1 $\mu$ F or larger bypass capacitor between this pin and DGND pin.
27	AGND	—	Analog ground pin.
17, 31, 39	DGND	—	Digital ground pin.

## Applicable to ML22Q58 Pins

Pin	Symbol	Type	Description
38	REGOUT	O	3V regulator output pin for the built-in flash power supplies. Connect a 10 $\mu$ F or larger condenser between REGOUT pin and DGND pin.
41	VBG	O	Reference voltage output pin for regulator. Recommends connecting a 150pF condenser between REGOUT pin and DGND pin.



**ABSOLUTE MAXIMUM RATINGS**

(GND = 0 V)				
Parameter	Symbol	Condition	Rating	Unit
Power supply voltage	$V_{DD}$	Ta = 25°C ML2251/52/53/54/56-XXX ML22Q58	-0.3 to +7.0	V
		Ta = 25°C, ML22Q54	-0.3 to +4.6	V
Input voltage	$V_{IN}$	Ta = 25°C	-0.3 to $V_{DD} + 0.3$	V
Power Dissipation	$P_D$	Ta=25°C Without ML2253/54-XXXHB	900	mW
		Ta=25°C ML2253/54-XXXHB	660	
		Ta=25°C ML2256-XXXHB	1060	
Output short current	$I_{SC}$	Ta = 25°C, Applies to output pins excluding REGOUT pin	6	mA
		Ta = 25°C, Applies to REGOUT pin	45	mA
Storage temperature	$T_{STG}$	—	-55 to +150	°C

**RECOMMENDED OPERATING CONDITIONS (3 V)**

ML225152/53/54/56-XXX, ML22Q54/Q58

(GND = 0 V)						
Parameter	Symbol	Condition	Range			Unit
Power supply voltage	$V_{DD}$	ML2251/52/53/54/56-XXX, ML22Q54	2.7 to 3.6			V
		ML22Q58	2.7 to 3.3			V
Operating temperature	$T_{OP}$	ML2251/52/53/54/56-XXX	-40 to +85			°C
		ML22Q54/Q58	0 to +70			
Master clock frequency	$f_{OSC}$	—	Min.	Typ.	Max.	MHz
			3.5	4.096	4.5	

**RECOMMENDED OPERATING CONDITIONS (5 V)**

ML2251/52/53/54/56-XXX, ML22Q58

(GND = 0 V)						
Parameter	Symbol	Condition	Range			Unit
Power supply voltage	$V_{DD}$	—	4.5 to 5.5			V
Operating temperature	$T_{OP}$	ML2251/52/53/54/56-XXX	-40 to +85			°C
		ML22Q58	0 to +70			°C
		ML22Q58 (Writing Flash)	0 to +50			°C
Master clock frequency	$f_{OSC}$	—	Min.	Typ.	Max.	MHz
			3.5	4.096	4.5	

## ELECTRICAL CHARACTERISTICS

### DC Characteristics (3 V)

ML2251/52/53/54/56-XXX, ML22Q54/Q58

 ML2251/52/53/54/56-XXX:  $V_{DD} = AV_{DD} = 2.7$  to  $3.6$  V,  $DGND = AGND = 0$  V,  $T_a = -40$  to  $+85^\circ\text{C}$ 

 ML22Q54:  $V_{DD} = AV_{DD} = 2.7$  to  $3.6$  V,  $DGND = AGND = 0$  V,  $T_a = 0$  to  $+70^\circ\text{C}$ 

 ML22Q58:  $V_{DD} = AV_{DD} = 2.7$  to  $3.3$  V,  $DGND = AGND = 0$  V,  $T_a = 0$  to  $+70^\circ\text{C}$ 

Parameter	Symbol	Condition	Min.	Typ.	Max.	Unit
"H" input voltage	$V_{IH}$	—	$0.86 \times V_{DD}$	—	—	V
"L" input voltage	$V_{IL}$	—	—	—	$0.14 \times V_{DD}$	V
"H" output voltage	$V_{OH}$	$I_{OH} = -1$ mA	$V_{DD} - 0.4$	—	—	V
"L" output voltage	$V_{OL}$	$I_{OL} = 2$ mA	—	—	0.4	V
"H" input current 1	$I_{IH1}$	$V_{IH} = V_{DD}$	—	—	10	$\mu\text{A}$
"H" input current 2 (Note 1)	$I_{IH2}$	$V_{IH} = V_{DD}$	0.3	2.0	15	$\mu\text{A}$
"H" input current 3 (Note 2)	$I_{IH3}$	$V_{IH} = V_{DD}$ Pull-down resistor built in pin	8	40	130	$\mu\text{A}$
"L" input current 1	$I_{IL1}$	$V_{IL} = \text{GND}$	-10	—	—	$\mu\text{A}$
"L" input current 2 (Note 3)	$I_{IL2}$	$V_{IL} = \text{GND}$ Pull-up resistor built in pin	-120	-40	-10	$\mu\text{A}$
"L" input current 3 (Note 1)	$I_{IL3}$	$V_{IL} = \text{GND}$	-15	-2.0	-0.3	$\mu\text{A}$
Playback Operating current consumption	$I_{DD1}$	$f_{OSC} = 4.096$ MHz at no load (ML2251/52/53/54/56-XXX)	—	6	35	mA
	$I_{DD2}$	$f_{OSC} = 4.096$ MHz at no load (ML22Q54/Q58)	—	9	35	mA
Built-in Flash memory access Operating current consumption 1	$I_{DD3}$	$f_{OSC} = 4.096$ MHz at no load Read Operation (ML22Q54/Q58)	—	10	35	mA
Built-in Flash memory access Operating current consumption 2	$I_{DD4}$	$f_{OSC} = 4.096$ MHz at no load Write and Erase Operation (ML22Q54/Q58)	—	20	60	mA
Standby current consumption	$I_{DD5}$	$T_a = -40$ to $+70^\circ\text{C}$	—	—	15	$\mu\text{A}$
		$T_a = -40$ to $+85^\circ\text{C}$	—	—	50	$\mu\text{A}$
		$T_a = 0$ to $+70^\circ\text{C}$ (ML22Q54/Q58)	—	—	55	$\mu\text{A}$

- Notes:
1. Applies to XT pin.
  2. Applies to TEST pin.
  3. Applies to RD and DW pins.

**DC Characteristics (5 V)**

ML2251/52/53/54/56-XXX, ML22Q58

 ML2251/52/53/54/56-XXX :  $DV_{DD} = AV_{DD} = 4.5$  to  $5.5$  V,  $DGND = AGND = 0$  V,  $T_a = -40$  to  $+85^\circ\text{C}$ 

 ML22Q58 :  $DV_{DD} = AV_{DD} = 2.7$  to  $3.3$  V,  $DGND = AGND = 0$  V,  $T_a = 0$  to  $+70^\circ\text{C}$ 

Parameter	Symbol	Condition	Min.	Typ.	Max.	Unit
"H" input voltage	$V_{IH}$	—	$0.8 \times V_{DD}$	—	—	V
"L" input voltage	$V_{IL}$	—	—	—	$0.2 \times V_{DD}$	V
"H" output voltage	$V_{OH}$	$I_{OH} = -1$ mA	$V_{DD} - 0.4$	—	—	V
"L" output voltage	$V_{OL}$	$I_{OL} = 2$ mA	—	—	0.4	V
"H" input current 1	$I_{IH1}$	$V_{IH} = V_{DD}$	—	—	10	$\mu\text{A}$
"H" input current 2 (Note 1)	$I_{IH2}$	$V_{IH} = V_{DD}$	0.8	5.0	20	$\mu\text{A}$
"H" input current 3 (Note 2)	$I_{IH3}$	$V_{IH} = V_{DD}$ Pull-down resistor built in pin	30	—	350	$\mu\text{A}$
"L" input current 1	$I_{IL1}$	$V_{IL} = \text{GND}$	-10	—	—	$\mu\text{A}$
"L" input current 2 (Note 3)	$I_{IL2}$	$V_{IL} = \text{GND}$ Pull-up resistor built in pin	-230	—	-60	$\mu\text{A}$
"L" input current 3 (Note 1)	$I_{IL3}$	$V_{IL} = \text{GND}$	-20	-5.0	-0.8	$\mu\text{A}$
Operating current consumption	$I_{DD1}$	$f_{OSC} = 4.096$ MHz at no load (ML2251/52/53/54/56-XXX)	—	19	40	mA
	$I_{DD2}$	$f_{OSC} = 4.096$ MHz at no load (ML22Q58)	—	22	40	mA
Built-in Flash memory access Operating current consumption 1	$I_{DD3}$	$f_{OSC} = 4.096$ MHz at no load Read Operation (ML22Q58)	—	23	40	mA
Built-in Flash memory access Operating current consumption 2	$I_{DD4}$	$f_{OSC} = 4.096$ MHz at no load Write and Erase Operation (ML22Q58)	—	33	60	mA
Standby current consumption	$I_{DDS}$	$T_a = -40$ to $+70^\circ\text{C}$	—	—	15	$\mu\text{A}$
		$T_a = -40$ to $+85^\circ\text{C}$	—	—	100	$\mu\text{A}$
		$T_a = 0$ to $+70^\circ\text{C}$ (ML22Q58)	—	—	100	$\mu\text{A}$

- Notes: 1. Applies to XT pin.  
 2. Applies to TEST pin.  
 3. Applies to RD and DW pins.

**Analog Section Characteristics (3 V)**

ML2251/52/53/54/56-XXX, ML22Q54/Q58

 ML2251/52/53/54/56-XXX:  $DV_{DD} = AV_{DD} = 2.7$  to  $3.6$  V,  $DGND = AGND = 0$  V,  $T_a = -40$  to  $+85^\circ\text{C}$ 

 ML22Q54:  $DV_{DD} = AV_{DD} = 2.7$  to  $3.6$  V,  $DGND = AGND = 0$  V,  $T_a = 0$  to  $+70^\circ\text{C}$ 

 ML22Q58:  $DV_{DD} = AV_{DD} = 2.7$  to  $3.3$  V,  $DGND = AGND = 0$  V,  $T_a = 0$  to  $+70^\circ\text{C}$ 

Parameter	Symbol	Condition	Min.	Typ.	Max.	Unit
AOUT output load resistance	$R_{LAO}$	—	50	—	—	$k\Omega$
AOUT output voltage range	$V_{AOUT}$	No output load	0.5	—	$AV_{DD} - 0.5$	V
DAO output impedance	$R_{DAO}$	—	30	50	70	$k\Omega$

**Analog Section Characteristics (5 V)**

ML2251/52/53/54/56-XXX, ML22Q58

 ML2251/52/53/54/56-XXX:  $DV_{DD} = AV_{DD} = 4.5$  to  $5.5$  V,  $DGND = AGND = 0$  V,  $T_a = -40$  to  $+85^\circ\text{C}$ 

 ML22Q58:  $DV_{DD} = AV_{DD} = 2.7$  to  $3.3$  V,  $DGND = AGND = 0$  V,  $T_a = 0$  to  $+70^\circ\text{C}$ 

Parameter	Symbol	Condition	Min.	Typ.	Max.	Unit
AOUT output load resistance	$R_{LAO}$	—	50	—	—	$k\Omega$
AOUT output voltage range	$V_{AOUT}$	No output load	0.5	—	$AV_{DD} - 0.5$	V
DAO output impedance	$R_{DAO}$	—	30	50	70	$k\Omega$
REGOUT output voltage	$V_{REGO}$	ML22Q58	2.7	3	3.3	V
VBG output voltage	$V_{BG}$	ML22Q58	1.0	1.3	1.5	V

## FUNCTIONAL DESCRIPTION

### Micro-computer Interface

The micro-computer interface in the ML2250 family has 2 types of interface circuits built in: Parallel interface and serial interface. The interface setting can be changed with the SERIAL pin.

SERIAL pin = "H" level: Serial interface

SERIAL pin = "L" level: Parallel interface

Table below shows the SERIAL pin status in the serial and parallel interfaces.

SERIAL = "L"		SERIAL = "H"	
Parallel interface		Serial interface	
D7 (I/O)	Data input/output pins	D (I)	Serial data input pin
D6 (I/O)		SCK (I)	Serial clock input pin
D5 (I/O)		DO (O)	Serial data output pin
D4 (I/O)		D4 (I)	Not used. (Input "L" level.)
D3 (I/O)		D3 (I)	Not used. (Input "L" level.)
D2 (I/O)		D2 (I)	Not used. (Input "L" level.)
D1 (I/O)		D1 (I)	Not used. (Input "L" level.)
D0 (I/O)		D0 (I)	Not used. (Input "L" level.)

#### 1. Parallel Interface

When selecting the parallel interface, the I/O pins CS, WR, DW, D7 to D0, and RD are used as input pins to input various commands and data, and as output pins to read out the status of the commands and data input.

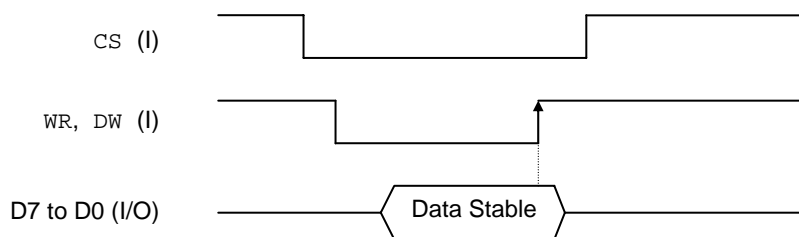
The micro-computer interface becomes effective when the CS pin is set to "L" level.

When a command or data is input, the input data to D7 through D0 pins is captured inside the device on the rising edge of the WR pin.

The DW pin is used to input data after having input the EXT or Flash I/F command. The method to input data to the DW pin is the same as the method to input command from the WR pin.

To read the channels status, pins CS and RD are made "L" level. By doing so, the status signals (NCR1, NCR2, BUSY1, BUSY2) of each channel are output to D3 through D0 pins. D7 to D4 pins usually output "L" level.

#### Command and Data Input Timing



Status Read Timing

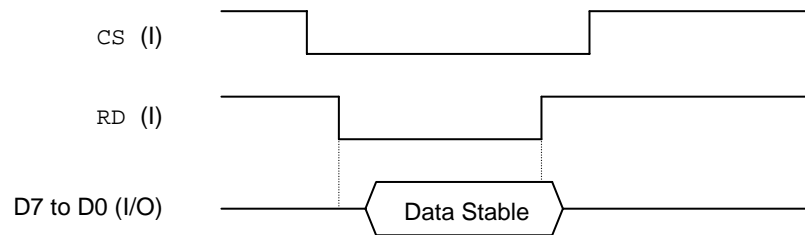


Table below shows the contents of each data output when reading the status of the channels.

Pin	Output status signal
D7	"L" level
D6	"L" level
D5	"L" level
D4	"L" level
D3	Channel 2 busy output (BUSY2)
D2	Channel 1 busy output (BUSY1)
D1	Channel 2 NCR output (NCR2)
D0	Channel 1 NCR output (NCR1)

The BUSY signal outputs "L" level when either a command is being processed or the playback of a pertinent channel is going on. In other states, the BUSY signal outputs "H" level.

The NCR signal outputs "L" level when either a command is being processed or a pertinent channel is in standby for playback. In other states, the NCR signal outputs "H" level.

To read out a status after inputting Flash I/F command for ML22Q54/Q58, D7-D0 pins output "L" level during command processing. After the command processing is completed, D7-D0 pins output "H" level.

**2. Serial Interface**

When selecting the serial interface, the I/O pins CS, WR, DW, DI, SCK, RD, and DO are used as input pins to input various commands and data, and as output pins to read out the status of the commands and data.

The micro-computer interface becomes effective when CS pin is set to “L” level.

To input the commands and data, “L” level is input to CS and WR pins followed by, from MSB, to DI pin in synchronization with the input clock signal at SCK pin. Data at DI pin is captured inside the device on the rising or falling edge of the clock at SCK pin. And the command is executed on the rising edge of the WR pin. The selection of rising/falling edge of SCK clock is determined by the input level of the SCK pin on the falling edge of the CS pin. If the SCK pin on the falling edge of the CS pin is at “L” level, the DI pin data is captured inside the device on the rising edge of SCK clock. Conversely, if the SCK pin on the falling edge of the CS pin is at “H” level, then the DI pin data is captured on the falling edge of SCK clock.

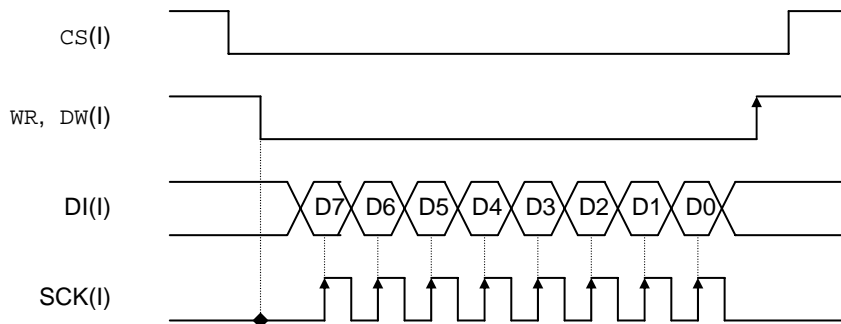
Use the DW pin to input various data after having input the EXT or Flash I/F command. The data input method is the same as to input data from the WR pin.

The selection of rising/falling edge of SCK clock is determined by the input level of the SCK pin on the falling edge of the WR pin. If the SCK pin on the falling edge of the WR pin is at “L” level, the DI pin data is captured inside the device on the rising edge of SCK clock. Conversely, if the SCK pin on the falling edge of the WR pin is at “H” level, then the DI pin data is captured on the falling edge of SCK clock.

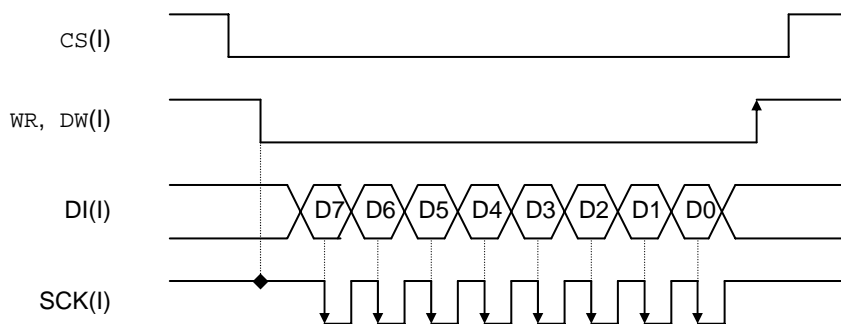
Use the DW pin to input various data after having input the EXT or Flash I/F command. The data input method is the same as to input data from the WR pin.

Command and Data Input Timings

• SCK Rising Edge Operation



• SCK falling Edge Operation



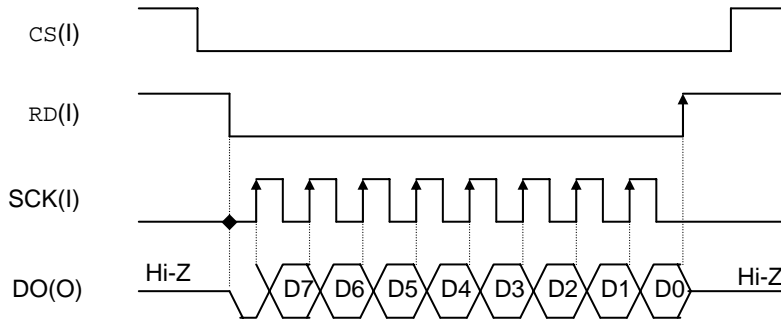
To read the channel status, input “L” level to CS and RD pins. DQ pin will output the channel status in synchronization with SCK clock.

The selection of rising/falling edge of SCK clock, similar to when inputting the commands and data, is determined by the level at SCK pin at the falling edge of RD pin.

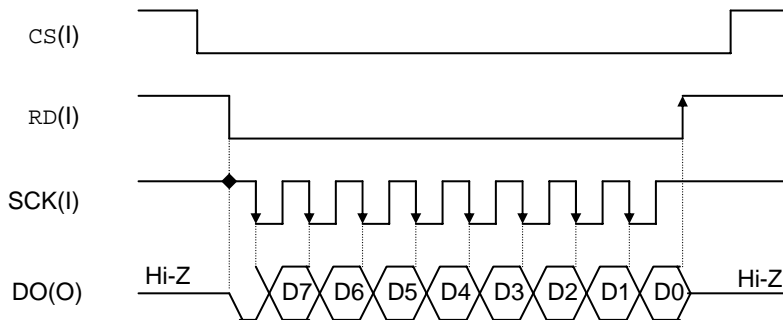
The status signals in the parallel interface are output to D7 to D0 pins sequentially from D7.

Status Read Timing

- SCK Rising Edge Operation



- SCK Falling Edge Operation





## Commands List

Each command is 1-byte (8 bits) input. PLAY, MUON, and FLASH I/F only are 2 bytes input.

Command	D7	D6	D5	D4	D3	D2	D1	D0	Description
PUP1	0	0	0	0	0	0	0	0	Instantly shifts the power down device to the command standby state.
PUP2	0	0	0	1	0	0	0	0	Suppresses pop noise and shifts the power down device to the command standby state.
PDWN1	0	0	1	0	0	0	0	0	Instantly shifts the device from the command standby state to the power down state.
PDWN2	0	0	1	1	0	0	0	0	Suppresses pop noise and shifts the device from the command standby state to power down state.
PLAY	0	1	0	0	0	0	C1	C0	Inputs the phrase after the playback channel is specified, and then starts the playback.
	F7	F6	F5	F4	F3	F2	F1	F0	
START	0	1	0	1	0	0	C1	C0	Playback start command with phrase specification. Inputs the phrase after the playback channel is specified, and then starts the playback.
									Playback start command without phrase specification. Inputs the phrase with the FADR command and starts the playback on multiple channels at the same time.
FADR	0	1	1	0	0	0	C1	C0	Phrase specification command. With this command, specifies the playback phrase for each channel.
	M7	M6	M5	M4	M3	M2	M1	M0	
STOP	0	1	1	1	0	0	C1	C0	Specifies the finish channel and ends the voice.
MUON	1	0	0	0	0	0	C1	C0	Inserts silence time after specifying the channel to insert silence, and then inserts silence.
	M7	M6	M5	M4	M3	M2	M1	M0	
SLOOP	1	0	0	1	0	0	C1	C0	Repeats the playback mode setting command. Effective only for the channel being used for playback.
CLOOP	1	0	1	0	0	0	C1	C0	Repeat playback mode releasing command. Inputting the STOP command releases repeat playback mode automatically.
VOL	1	0	1	1	0	0	C1	C2	Specifies the channel whose sound volume is to be set, and then sets the volume of that channel.
	V7	V6	V5	V4	V3	V2	V1	V0	
EXT	1	1	0	0	0	0	0	0	Inputs voice data from the CPU I/F to play it back.
Flash I/F	1	1	0	1	BE	SE	WR	RD	Performs data read/write/erase of the built-in flash memory. This command cannot be used while the playback is going on. (Applicable to the ML22Q54/Q58.)

C1, C0: Channel specification (C0 = "1": Channel 1; CH = "1": Channel 2; C0, C1 = "1": Channel 1, Channel 2)

F7 to F0: Phrase address

M7 to M0: Silence time length

X0: Releases the repeated playback

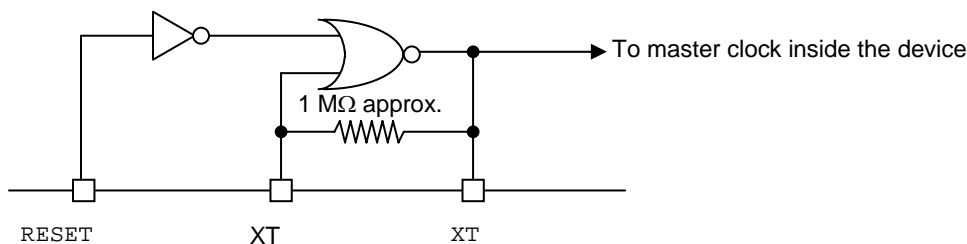
V4 to V0: Sound volume

RD, WR, SE, BE: Mode (RD = "1": Read data; WR = "1": Write data; SE = "1": Erase sector; BE = "1": Erase block)

**Power Down Function**

In power down state, the power down function in the device stops the internal operation and oscillation, sets AOUT to GND, and minimizes the static  $I_{dd}$ .  
When an external clock is in use, input “L” level to the XT pin, so that current does not flow into the oscillation circuit.

Figure below shows the equivalent circuit of XT and XT pins.



**Initial state at the reset input**

At the reset input, status of each output pins is described in the table below.

Output pin	Status	Output pin	Status
NCR1	“H” level	XT	“L” level
NCR2	“H” level	AOUT	“L” level
BUSY1	“H” level	DAO	“L” level
BUSY2	“H” level	VBG	“L” level
		REGOUT	Hi-z level

**Channel Status**

Channel status is of 2 types: NCRn and BUSYn.

Channel	Channel status	
CH1	NCR1	BUSY1
CH2	NCR2	BUSY2

NCRn = “H” indicates that it is possible to input the PLAY, START and MUON commands for the phrase to be played back next for channel n.

BUSYn = “H” indicates a state in which channel n has not performed voice processing. BUSYn = “L” indicates a state in which channel n is performing voice processing.

Meanwhile, after a command is input, the NCR and BUSY signals of all channels are at “L” level during the processing of the command.

## Voice Synthesis Algorithm

The ML2250 family contains 5 algorithm types to match the characteristic of playback voice: 2-bit ADPCM 2 algorithm, 4-bit ADPCM 2 algorithm, 8-bit PCM algorithm, 8-bit non-linear PCM algorithm, and 16-bit PCM algorithm.

Key feature of each algorithm is described in the table below.

Voice synthesis algorithm	Applied waveform	Feature
Oki 2-bit ADPCM2	Normal voice waveform	Oki's specific speech synthesis algorithm of low bit rate with improved 2-bit ADPCM.
Oki 4-bit ADPCM2	Normal voice waveform	Oki's specific speech synthesis algorithm of improved waveform follow-up with improved 4-bit ADPCM.
Oki 8-bit Nonlinear PCM	High-frequency components inclusive sound effect etc.	Algorithm which plays back mid-range of waveform as 10-bit equivalent voice quality.
8-bit PCM	High-frequency components inclusive sound effect etc.	Normal 8-bit PCM algorithm
16-bit PCM	High-frequency components inclusive sound effect etc.	Normal 16-bit PCM algorithm

## Memory Allocation and Creating Voice Data

The ROM is partitioned into 4 data areas: voice (i.e., phrase) control area, test area, voice area, and phrase control table area.

The voice control area manages the ROM's voice data. It controls the start/end addresses of voice data, usage/not usage of the phrase control table function and so on. The voice control area stores voice control data for 256 phrases.

The test area stores the data for testing.

The voice area stores the actual waveform data.

The phrase control table area stores data for effective use of voice data. As for the details, please refer to the Phrase Control Table Function.

There is no phrase control table area if the phrase control table is not used.

The ROM data is created using a development tool.

### ROM Addresses (ML2252)

0x00000	Voice control area (16 Kbit Fixed)
0x007FF	
0x00800	Test area
0x00807	
0x00808	Voice area
max: 0x1FFFF	
max: 0x1FFFF	Phrase Control Table area Depends on creation of ROM data.

### Built-in ROM Usage Prohibited Area

(Applies to ML2251/52/53/54/56-XXX, ML22Q54/Q58)

The 8 bytes between the voice control area and the voice area in the ROM is the prohibited area for use. The voice data are stored automatically behind 00808(HEX) address by using the development tool (AR207) when creating the ROM data.

Table below lists the addresses prohibited for use in every ROM model.

Model	Voice data area	Usage prohibited area
ML2251	00808 to FFFF	00800 to 00807
ML2252	00808 to 1FFFF	00800 to 00807
ML2253	00808 to 5FFFF	00800 to 00807
ML2254, 22Q54	00808 to 7FFFF	00800 to 00807
ML2256	00808 to BFFFF	00800 to 00807
ML22Q58	00808 to FFFFF	00800 to 00807

Note: The addresses are indicated in hexadecimal notation.

### Playback Time and Memory Capacity

The playback time depends upon the memory capacity, sampling frequency, and playback method. The equation showing the relationship is given below.

$$\text{Playback time [sec]} = \frac{1.024 \times (\text{Memory capacity} - 16) \text{ (Kbit)}}{\text{Sampling frequency (kHz)} \times \text{Bit length}}$$

(Bit length is ADPCM, ADPCM 2 = 4 bits; PCM = 8 bits.)

Example: Let the sampling frequency is 16 kHz and 4-bit ADPCM algorithm. If one 8 Mbits ROM is used, then the playback time is obtained as follows:

$$\text{Playback time} = \frac{1.024 \times (8192 - 16) \text{ (Kbit)}}{16 \text{ (kHz)} \times 4 \text{ (bit)}} \cong 131 \text{ (sec)}$$

The above equation gives the playback time when the phrase control table function is not used.

### Mixing Function

The ML2250 family can perform simultaneous mixing of 2 channels. It is possible to specify PLAY and STOP for each channel separately.

- Precautions for Waveform Clamp at the Time of Channels Mixing

When mixing of channels is done, the clamp occurrence possibility increases from the mixing calculation point of view. If it is known beforehand that the clamp will occur, then adjust the sound volume by VOL command.

- Mixing of Different Sampling Frequency

It is not possible to perform analog mixing by a different sampling frequency.

When performing analog mixing, the sampling frequency group of the first playback channel is selected. Therefore, please note that if analog mixing is performed by a sampling frequency group other than the selected sampling frequency group, then the playback will not be of constant speed: some times faster and at other times slower.

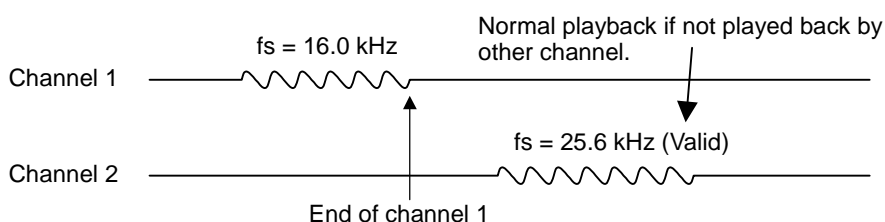
The available sampling groups for analog mixing by a different sampling frequency are listed below.

- 4.0 kHz, 8.0 kHz, 16.0 kHz, 32.0 kHz ... (Group 1)
- 5.3 kHz, 10.6 kHz, 21.3 kHz, 42.7 kHz ... (Group 2)
- 6.0kHz, 12.0kHz, 24.0kHz, 48.0kHz ... (Group 3)
- 6.4 kHz, 12.8 kHz, 25.6 kHz ... (Group 4)

Figures below show a case when a sampling frequency group played back a different sampling frequency group.



**Figure 1 In Case a Different Sampling Frequency Played Back during Playback of the Other Channel Playback**



**Figure 2 In Case a Different Sampling Frequency Played Back after the End of the Other Channel**

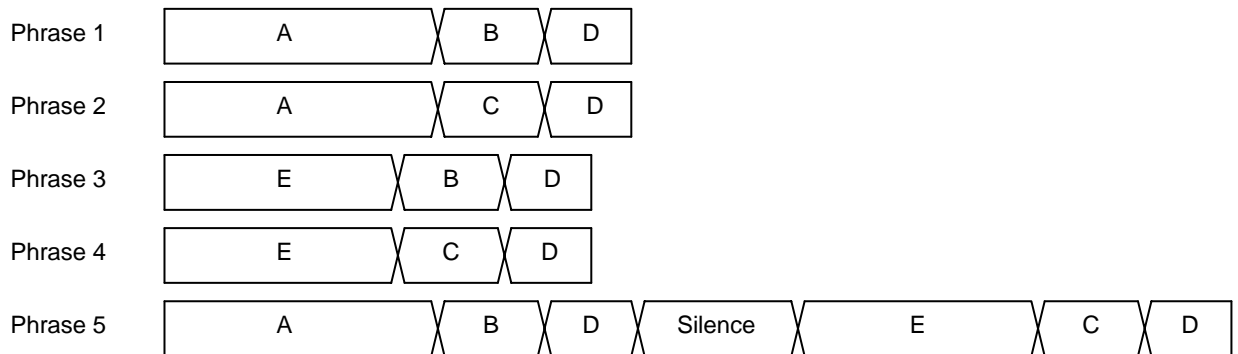
**Phrase Control Table Function**

The phrase control table function makes it possible to play back multiple phrases in succession. The following functions are set using the phrase control table function:

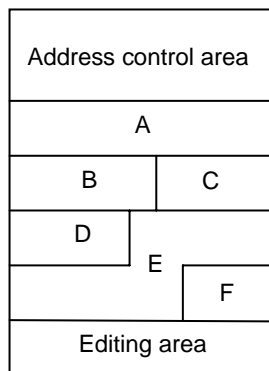
- Continuous playback: There is no limit to the number of times a continuous playback can be specified. It depends on the memory capacity only.
- Silence insertion function: 4 to 1024 ms

Using the phrase control table function enables to effectively use the memory capacity of voice ROM. Below is an example of the ROM configuration in the case of using the phrase control table function.

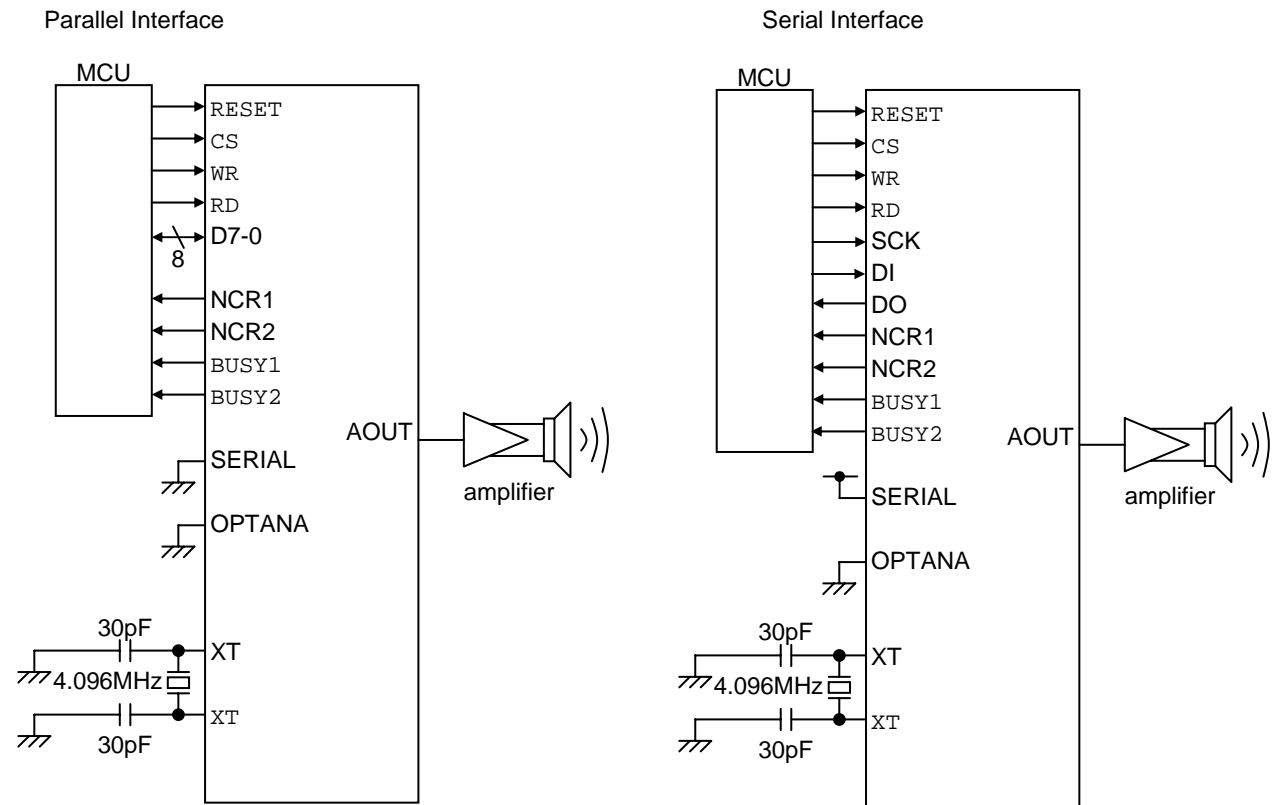
**Example 1: Phrases Using the Phrase Control Table Function**

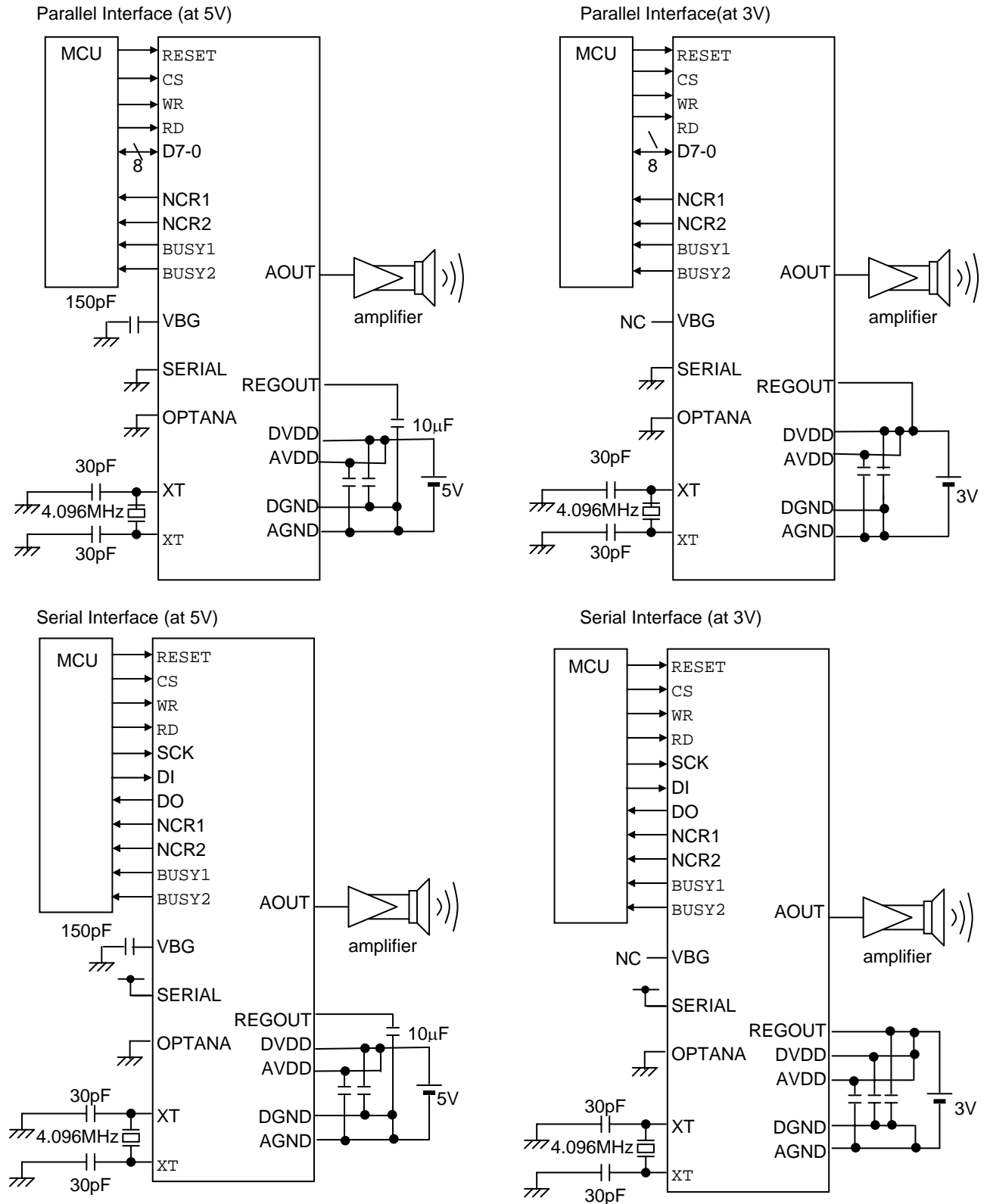


**Example 2: Example of ROM Data in case Example 1 Converted to ROM**



**APPLICATION CIRCUIT EXAMPLE (ML2251/52/53/54/56-XXX, ML22Q54)**



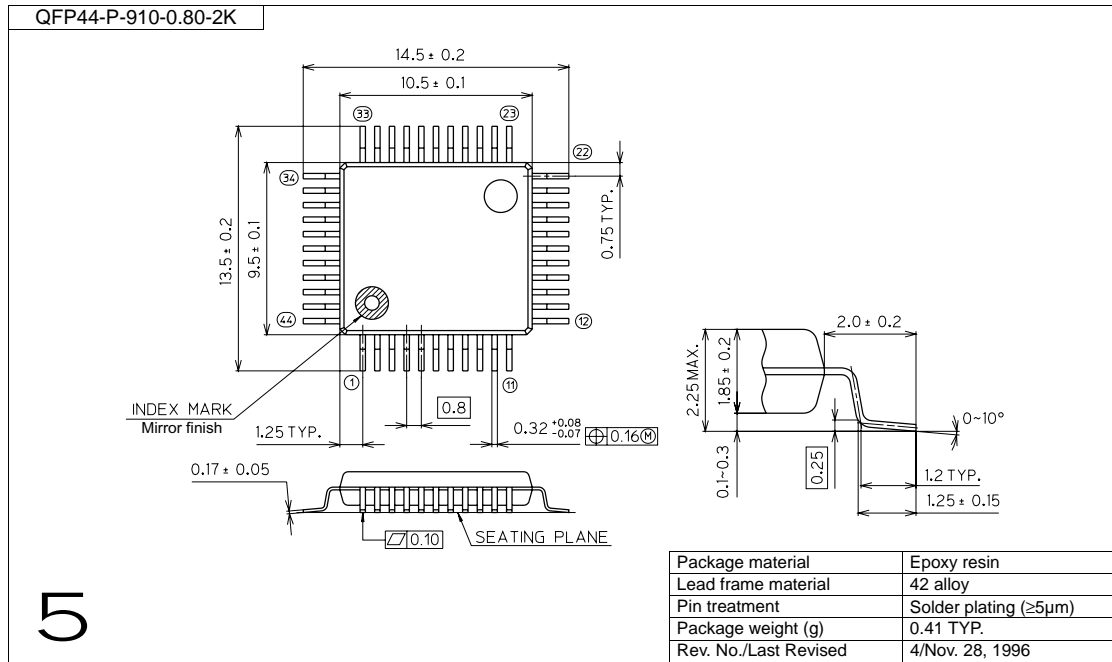
**APPLICATION CIRCUIT EXAMPLE (ML22Q58)**




**PACKAGE DIMENSIONS**

44pin plastic QFP

(Unit: mm)



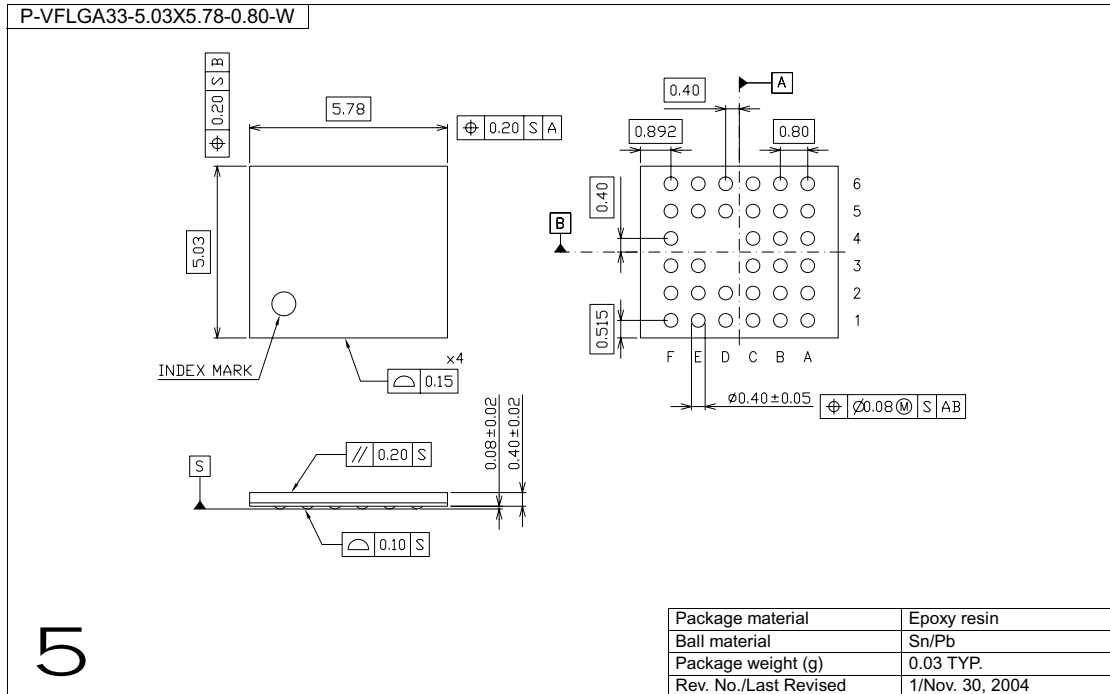
5

**Notes for Mounting the Surface Mount Type Package**

The surface mount type packages are very susceptible to heat in reflow mounting and humidity absorbed in storage.

Therefore, before you perform reflow mounting, contact Oki's responsible sales person for the product name, package name, pin number, package code and desired mounting conditions (reflow method, temperature and times).

33-pin W-CSP



Notes for Mounting the Surface Mount Type Package

The surface mount type packages are very susceptible to heat in reflow mounting and humidity absorbed in storage.

Therefore, before you perform reflow mounting, contact Oki's responsible sales person for the product name, package name, pin number, package code and desired mounting conditions (reflow method, temperature and times).

## REVISION HISTORY

Document No.	Date	Page		Description
		Previous Edition	Current Edition	
PEDL2250DIGSET-01	Jun. 25, 2002	–	–	Preliminary edition 1
FEDL2250DIGSET-01	Oct. 15, 2002	–	–	Final edition 1
FEDL2250DIGSET-02	May 12, 2003	–	–	Final edition 2
FEDL2250DIGSET-03	Oct. 17, 2003	–	–	Added ML2251 and ML2253
		–	–	Eliminated mentioned items about PWM
FEDL2250DIGSET-04	Apr. 20, 2004	–	–	Added ML2256
		–	22	Added mentioned items about initial state at reset input
FEDL2250DIGSET-06	Dec. 27, 2004	–	–	Added ML22Q58
		–	10-12, 33	Added ML2253/54-XXXHB(W-CSP Package)
		–	16-18	Added the pin equivalent circuits
		19,20	22,23	Corrected the article and charts about serial interface
		27	30,31	Changed the application circuit example
FEDL2250DIGSET-08	Jun.13, 2005	–	1	Modified the description of ML22Q54/Q58 in the “GENERAL DESCRIPTION” Section.
		–	3	Added “(ML2256-XXXHB)” to the 33-pin W-CSP package.
		–	11	Added the 33-pin W-CSP package configuration of ML2256-XXXHB
		–	12,13	Added the “ML2256 WCSP pin “ Column” in the table.
		–	12	Added ML2256 to the heading above the table.
		–	13	Modified the description of QFP Pin 24.
FEDL2250DIGSET-09	Sep.15, 2005	–	17	Changed the contents in the “Condition” and “Rating” Columns of Parameter “Power Dissipation” in the table in the “ABSOLUTE MAXIMUM RATINGS” Section.
		–	–	The “DIGEST” version is not changed.

## NOTICE

1. The information contained herein can change without notice owing to product and/or technical improvements. Before using the product, please make sure that the information being referred to is up-to-date.
2. The outline of action and examples for application circuits described herein have been chosen as an explanation for the standard action and performance of the product. When planning to use the product, please ensure that the external conditions are reflected in the actual circuit, assembly, and program designs.
3. When designing your product, please use our product below the specified maximum ratings and within the specified operating ranges including, but not limited to, operating voltage, power dissipation, and operating temperature.
4. Oki assumes no responsibility or liability whatsoever for any failure or unusual or unexpected operation resulting from misuse, neglect, improper installation, repair, alteration or accident, improper handling, or unusual physical or electrical stress including, but not limited to, exposure to parameters beyond the specified maximum ratings or operation outside the specified operating range.
5. Neither indemnity against nor license of a third party's industrial and intellectual property right, etc. is granted by us in connection with the use of the product and/or the information and drawings contained herein. No responsibility is assumed by us for any infringement of a third party's right which may result from the use thereof.
6. The products listed in this document are intended for use in general electronics equipment for commercial applications (e.g., office automation, communication equipment, measurement equipment, consumer electronics, etc.). These products are not, unless specifically authorized by Oki, authorized for use in any system or application that requires special or enhanced quality and reliability characteristics nor in any system or application where the failure of such system or application may result in the loss or damage of property, or death or injury to humans.  
Such applications include, but are not limited to, traffic and automotive equipment, safety devices, aerospace equipment, nuclear power control, medical equipment, and life-support systems.
7. Certain products in this document may need government approval before they can be exported to particular countries. The purchaser assumes the responsibility of determining the legality of export of these products and will take appropriate and necessary steps at their own expense for these.
8. No part of the contents contained herein may be reprinted or reproduced without our prior permission.

Copyright 2005 Oki Electric Industry Co., Ltd.