

### RYC8620/21/30 Protected Power Switch

Document: SCD 25389  
Status: Released  
Rev. E  
Date: September 3, 2004

#### GENERAL DESCRIPTION

RYC8620/21/630 is a series of dual channel protected power switches designed for USB and other 3.3V to 5V high-side power switched applications. Each channel can be separately enabled and has a deglitched fault flag to minimize nuisance tripping when high inrush current devices are plugged into the port. The output MOSFET typically has a low on resistance of 100mΩ. The RYC8620/21/30 series of power switches provides channel independent current limiting and overtemperature protection. In an overcurrent event the offending channel is turned off allowing normal operation on the other channel. The RYC8620/21/30 features undervoltage lockout, soft start and reverse current blocking when disabled.

RYC8620/21/30 devices are available with multiple current limits. Custom current limit levels may be available on request.

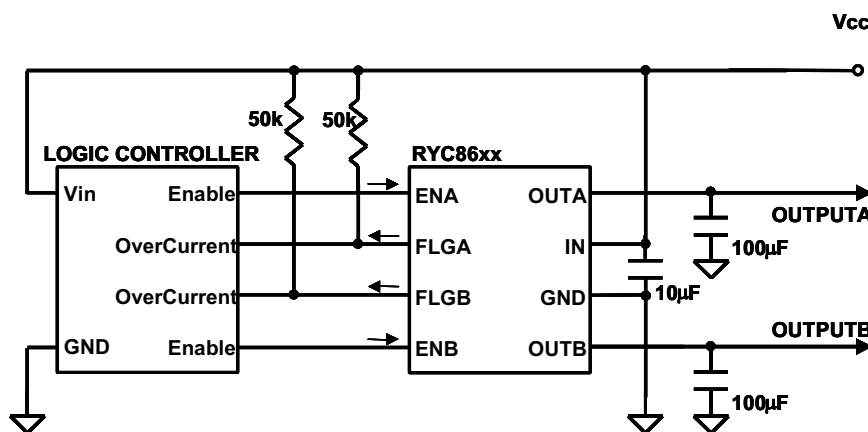
#### FEATURES

- Designed for USB applications
- Low R<sub>ds on</sub>, typical 100mΩ
- Fast overcurrent shut down minimizes peak inrush current
- Built-in flag deglitch to minimize nuisance tripping
- Independent OC and OT protection
- Soft start
- Reverse current blocking when disabled.
- Undervoltage lockout (UVLO)
- 8 pin SOIC package
- UL Recognized
- Typical Current Limit
  - RYC8620: 1.0A
  - RYC8621: 1.2A
  - RYC8630: 1.5A

#### APPLICATIONS

- USB peripherals
- Notebook PCs
- PDAs
- PC card hot swap
- General purpose power switches

#### TYPICAL APPLICATION SCHEMATIC



## RYC8620/21/30 Protected Power Switch

Document: SCD 25389  
Status: Released  
Rev. E  
Date: September 3, 2004

### ORDERING INFORMATION

Part Description	Part Number	Enable	Continuous Current (A)	Package	Tape and Reel Quantity
RYC8620-1M	D17540-000	Active High	0.6	8-lead SOIC	2,500 pcs
RYC8620-2M	A05322-000	Active Low	0.6	8-lead SOIC	2,500 pcs
RYC8621-1M	A22854-000	Active High	0.7	8-lead SOIC	2,500 pcs
RYC8621-2M	E04678-000	Active Low	0.7	8-lead SOIC	2,500 pcs
RYC8630-1M	C36814-000	Active High	1.1	8-lead SOIC	2,500 pcs
RYC8630-2M	A22843-000	Active Low	1.1	8-lead SOIC	2,500 pcs

Note: Other current may be available, please contact factory.

### MATERIALS INFORMATION

ROHS Compliant

Directive 2002/95/EC  
Compliant

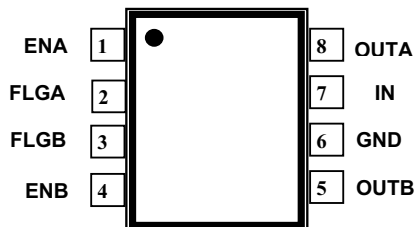
ELV Compliant

Directive 2000/53/EC  
Compliant

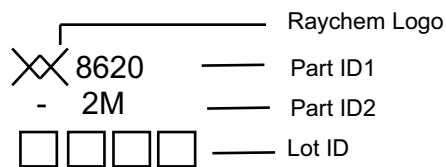
Pb-Free



### PIN CONFIGURATION



### DEVICE MARKING



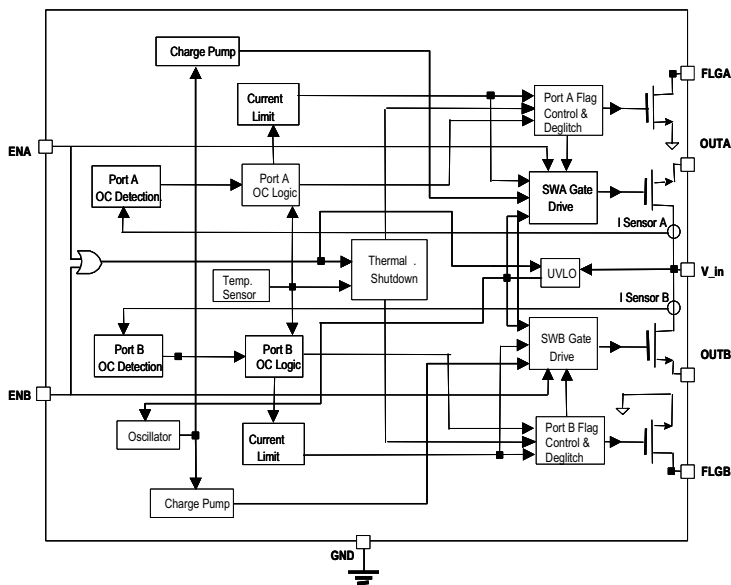
### PIN DESCRIPTION

Pin Number	Pin Name	Pin Function
1, 4	EN(A/B)	Enable (Input): Logic-compatible enable input. High input > 2.4V. Low input <0.8V (-1 active high, -2 active low). Do not float.
2, 3	FLG(A/B)	Fault Flag (Output): Active-low open-drain output. Indicates overcurrent, UVLO and thermal shutdown.
5, 8	OUT(A/B)	Switch Output: Output MOSFET source. Typically connects to switched side of load.
6	GND	Ground: Supply return.
7	IN	Supply Input: Output MOSFET drain. Also supplies IC's internal circuitry. Connect to positive supply.

## RYC8620/21/30 Protected Power Switch

Document: SCD 25389  
Status: Released  
Rev. E  
Date: September 3, 2004

### FUNCTIONAL DIAGRAM



### ABSOLUTE MAXIMUM RATINGS (Notes 1, 2)

Parameter	Symbol	Value	Units
Max main supply voltage	$V_{IN}$	-0.3 to +6	V
Max voltage, all I/O pins	$V_{IN}$	-0.3 to +6	V
Output voltage	$V_{OUT}$	+6	V
Output current	$I_{OUT}$	Internally limited	A
Control input	$V_{EN}$	-0.3 to 5.5	V
Storage temperature	$T_S$	-65 to +150	°C
Fault flag current	$I_{FLG}$	25	mA
Max lead temperature during soldering (5 sec.)		260	°C

**Note 1.** Operation beyond absolute maximum rating or improper use may result in permanent damage to the device. Exposure to absolute maximum rating conditions for extended periods or to conditions beyond absolute maximum rating conditions may adversely affect device reliability. Functional operation under absolute maximum rating conditions is not implied.

**Note 2.** Devices are ESD sensitive. Handling precautions recommended.

### OPERATING RATINGS (Note 3)

Parameter	Symbol	Value	Units
Supply voltage, Note 4	$V_{IN}$	+3.0 to +5.5	V
Continuous Output Current	$I_{OUT}$	RYC8620	0.6
		RYC8621	0.7
		RYC8630	1.1
Ambient operating temperature	$T_A$	-40 to +85	°C
Thermal resistance (8 pin SOIC), Note 5	$\theta_{JA}$	120	°C/W

**Note 3.** The device is not designed to function outside its operating rating.

**Note 4.** UL recognized at 3.3 – 5Vdc

### RYC8620/21/30 Protected Power Switch

Document: SCD 25389  
Status: Released  
Rev. E  
Date: September 3, 2004

#### ELECTRICAL CHARACTERISTICS ( $V_{IN} = +5V$ ; $T_A = 25^{\circ}C$ ; unless noted.)

Power Switch	Condition	Min	Typ	Max	Units
Pin to Pin Resistance	$V_{IN} = 5V$ , $I_{OUT} = 500mA$ , Note 6		100	140	$m\Omega$
	$V_{IN} = 3.3V$ , $I_{OUT} = 500mA$ , Note 6		100	140	
Output Turn-On Time	$R_L = 50\ \Omega$ , $C_L = 1\ \mu F$ , each output, sum of delay+ rise time.	0.2	0.5	1.0	ms
Output Turn-Off Time	$R_L = 50\ \Omega$ , $C_L = 1\ \mu F$ , each output, sum of delay+ fall time	10	150	300	$\mu s$

Current Limit	Condition	Min	Typ	Max	Units
Short-circuit Current Limit	<b>RYC8620</b> Short circuit applied to the output pin of EN device with $1\ \Omega$ load	0.6	1.0	1.25	A
	<b>RYC8621</b> Short circuit applied to the output pin of EN device with $1\ \Omega$ load	0.7	1.2	1.35	A
	<b>RYC8630</b> Short circuit applied to the output pin of EN device with $1\ \Omega$ load	1.1	1.5	2.2	A
Short-circuit Response Time	Short-circuit applied to the output port of EN device ('Hot-plugged short') $V_{OUT} = 5.0V$ , $R_L = 0.5\ \Omega$ , Note 5		1		$\mu s$

Enable Input	Condition	Min	Typ	Max	Units
Enable Input Threshold	Low-to-high transition, Note 7		1.8	2.4	V
	High-to-low transition, Note 7	0.8	1.7		V
Enable Input Current	$V_{EN} = 0V$ to $5.5V$	0.01		1	$\mu A$
Enable Input Capacitance	Note 5			5	pF

Leakage Current	Condition	Min	Typ	Max	Units
Supply Current	Switch off, OUT = open		6	15	$\mu A$
	All switches on, OUT = open		100	200	$\mu A$
Output Leakage Current	Each output, output disabled	0.01	1	20	$\mu A$

Overtemperature and UVLO	Condition	Min	Typ	Max	Units
Overtemperature Shutdown Threshold	$T_J$ increasing, Note 5		130		$^{\circ}C$
	$T_J$ decreasing, Note 5		120		$^{\circ}C$
UVLO Threshold	$V_{IN}$ = increasing		2.3		V
	$V_{IN}$ = decreasing		2.0		V

Error Flag	Condition	Min	Typ	Max	Units
Error Flag Output Resistance	$V_{IN} = 5V$ , $I_L = 10mA$ , open drain		10	100	$\Omega$
Error Flag Off Current	$V_{FLAG} = 5V$	0.01		1	$\mu A$
Error flag output deglitch	Fault on overcurrent, UVLO and thermal shutdown, Note 8		12	20	ms

**Note 5.** Validated by design, but not production tested.

**Note 6.** Pin to Pin total resistance includes lead frame, silicon die metalization, bond wire and FET  $R_{dson}$  resistances. Please be aware that some manufacturers only specify the  $R_{dson}$  value, which can be significantly less than the total pin to pin resistance.

**Note 7.**  $V_{IN}$  should be within the operating range before the device is enabled.

**Note 8.** No error flag out deglitch on UVLO and thermal shutdown.

## RYC8620/21/30 Protected Power Switch

Document: SCD 25389  
Status: Released  
Rev. E  
Date: September 3, 2004

### TYPICAL CHARACTERISTICS

Figure 1. Test Circuit and Timing Diagram

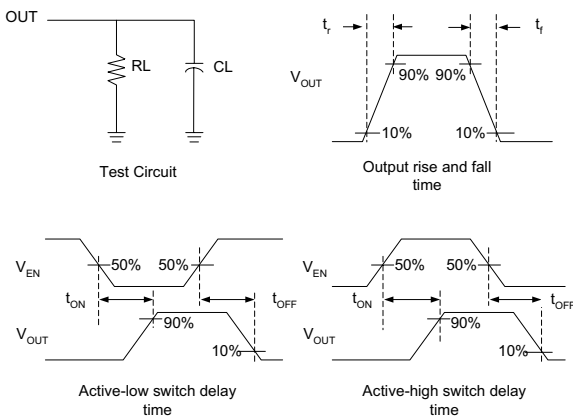


Figure 2. Turn-on Delay Time  
 $V_{IN} = 5V, R_L = 10 \Omega$

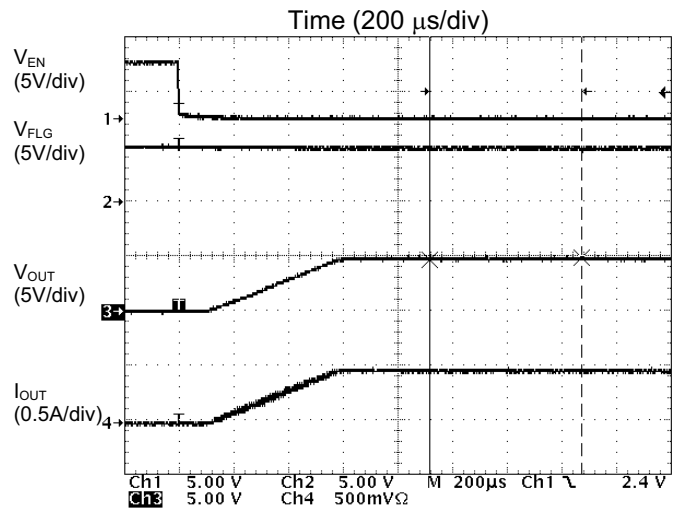


Figure 3. Enable into Short Circuit  
(note the 13 ms flag delay)  
 $V_{IN} = 5V, R_L = 0.1 \Omega$   
Time (2 ms/div)

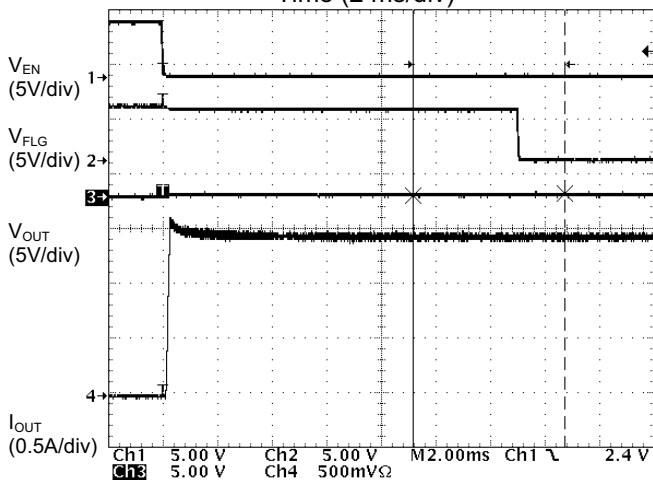
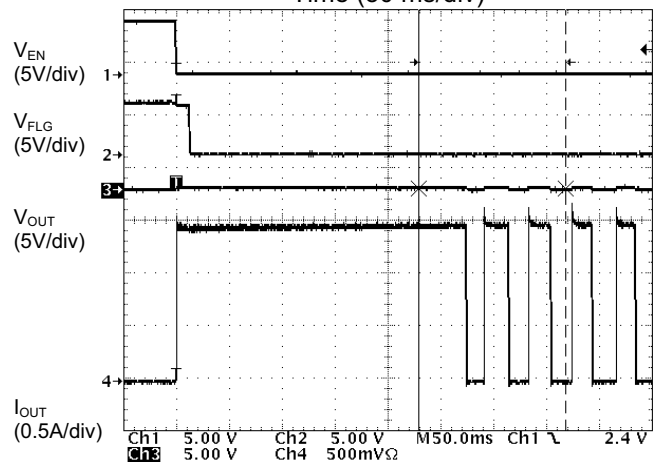


Figure 4. Enable into Short Circuit  
(extended time with thermal cycling)  
 $V_{IN} = 5V, R_L = 0.1 \Omega$   
Time (50 ms/div)



## RYC8620/21/30 Protected Power Switch

Document: SCD 25389  
Status: Released  
Rev. E  
Date: September 3, 2004

Figure 5. Hot-plugged Short Circuit  
 $V_{IN} = 5V$ ,  $R_L = 0.1 \Omega$

Time (200  $\mu$ s/div)

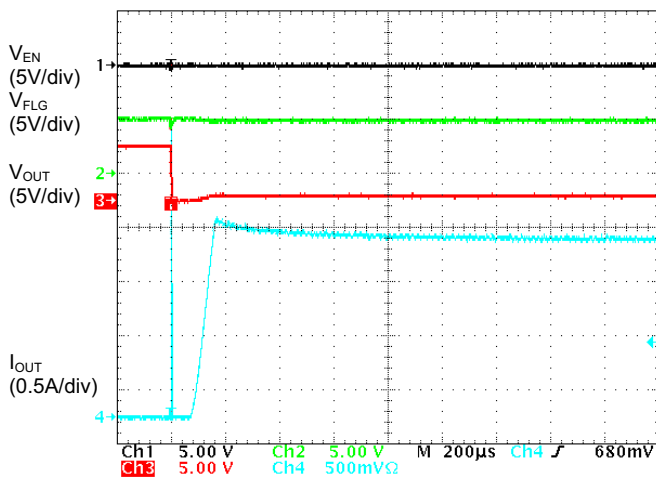


Figure 6. Hot-plugged Short Circuit  
(extended time with thermal cycling)  
 $V_{IN} = 5V$ ,  $R_L = 0.05 \Omega$

Time (50 ms/div)

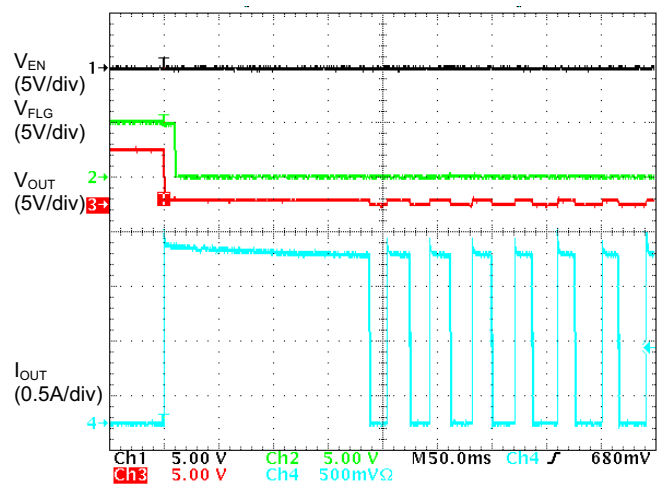


Figure 7. Nuisance Trip Elimination  
Hot plugged into a capacitive load  
 $V_{IN} = 5V$ ,  $R_L = 10 \Omega$ ,  $C_L = 1880 \mu F$

Time (10 ms/div)

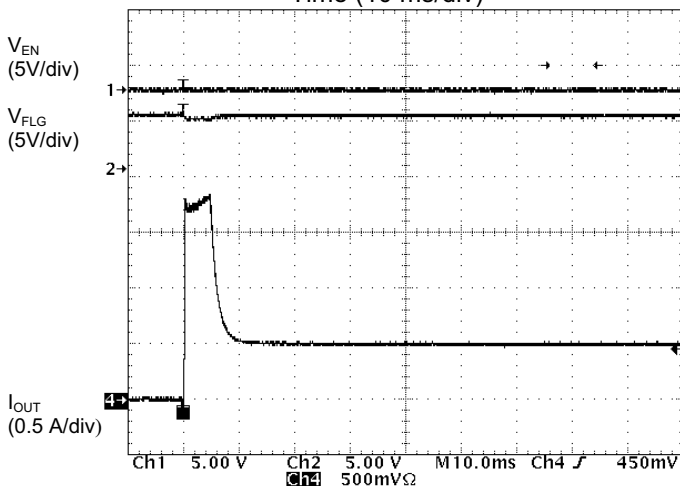
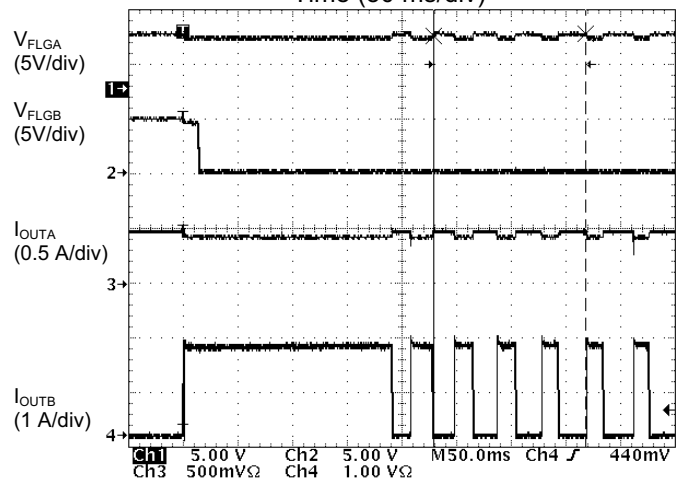


Figure 8. Independent OC/OT Coordination  
 $V_{IN} = 5V$ ,  $R_{LA} = 10 \Omega$ ,  $R_{LB} = 0.1 \Omega$

Time (50 ms/div)





## **RYC8620/21/30**

### **Protected Power Switch**

Document: SCD 25389  
Status: Released  
Rev. E  
Date: September 3, 2004

---

#### **FUNCTIONAL DESCRIPTION**

The RYC86xx is a series of dual channel protected power switches designed for USB, SD Memory, and other 3.3V to 5V high-side power switched applications. Each channel can be separately enabled and has a deglitched fault flag to minimize nuisance tripping when high inrush current devices are plugged into the port. The output MOSFET typically has a low on resistance of 100mΩ. The RYC86xx provides channel independent current limiting and overtemperature protection. In an overcurrent event, the offending channel is turned off allowing normal operation on the other channel. The RYC86xx features undervoltage lockout, soft start and reverse current blocking when disabled.

#### Current Limit and Overtemperature

The RYC86xx is designed to support two power ports. The current limit is 0.6A minimum and 1.25A maximum for the RYC8620, 0.7A minimum and 1.35A maximum for RYC8621 and 1.1A minimum and 2.2A maximum for the RYC8630. When the current limit is exceeded, the device will first limit the current and then, if necessary, will go into thermal shutdown when the die temperature reaches approximately 130°C. When the temperature falls 10°C below the thermal shutdown temperature, the device will restart. If the fault has not been removed, the device will continue to cycle on and off. The frequency of the cycle is dependent on the impedance of the fault and the thermal environment. Each channel operates independently and in a fault event will be protected while allowing the other channel to operate normally.

#### Enable Pull Up/Down

The EN input is logic level compatible. The enable pin should not be allowed to float; a pull-up/pull-down resistor (depending on the polarity of the enable) should be used to tie the pin high/low.

#### Fault Flag

The fault flag signal is asserted low when an overcurrent, overtemperature or undervoltage event occurs. In the event of an overcurrent, the fault flag is deglitched for approximately 10 ms to minimize nuisance tripping. The FLAG pin is an open drain design and will require a pull-up resistor.

#### Undervoltage lockout (UVLO)

If the supply voltage ( $V_{aux}$ ) drops below approximately 2.0V the RYC86xx will turn off. The undervoltage limit protects the hub from operating at voltages too low to assure reliable logic operation.

#### Soft Start

When the device is first enabled into a load, the device is turned on slowly and requires typically 0.5 ms to reach 90% of the operating voltage.

## RYC8620/21/30 Protected Power Switch

Document: SCD 25389  
Status: Released  
Rev. E  
Date: September 3, 2004

### APPLICATION INFORMATION

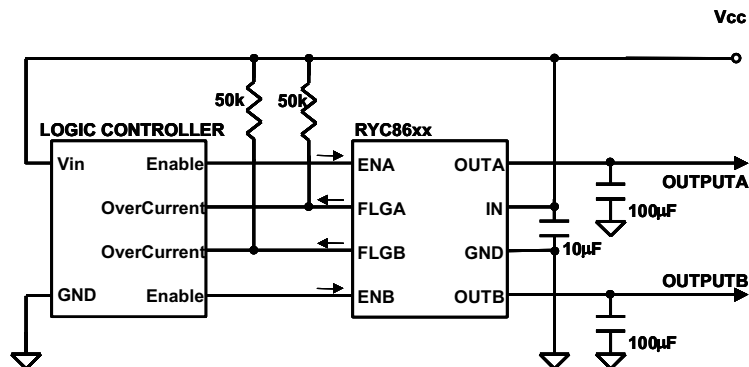
#### Input Capacitor

Decoupling input capacitors (0.1  $\mu\text{F}$ ) should be used to tie the  $V_{\text{IN}}$  pin to ground to minimize voltage transients.

*Input transients which exceed the absolute maximum rating may cause damage to the device.*

#### Output Capacitors

Decoupling capacitors (0.1  $\mu\text{F}$ ) between the output and ground are also recommended to reduce the impact of other voltage transients such as ESD. Output capacitors will help minimize negative voltage spikes due to parasitic inductance. USB specifications require 120  $\mu\text{F}$  of low ESR output capacitance per hub.

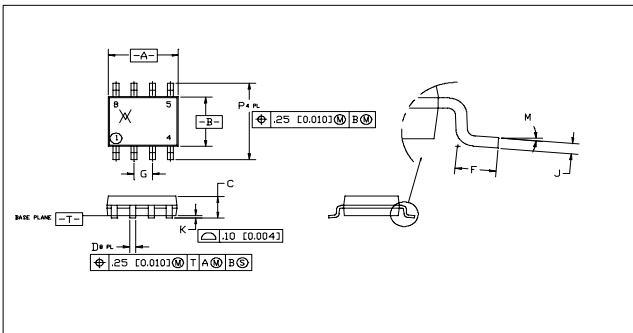




### RYC8620/21/30 Protected Power Switch

Document: SCD 25389  
Status: Released  
Rev. E  
Date: September 3, 2004

#### PACKAGE INFORMATION



	MIN	MAX	MIN	MAX
DIMENSION	mm	mm	inch	inch
A	4.80	5.00	0.190	0.197
B	3.80	4.00	0.150	0.157
C	1.35	1.75	0.054	0.068
D	0.35	0.49	0.013	0.020
F	0.40	1.27	0.016	0.050
G	1.27 BSC		0.050 BSC	
J	0.18	0.25	0.0075	0.010
K	0.10	0.25	0.004	0.010
M	0°	8°	0°	8°
P	5.80	6.20	0.228	0.244

#### 8-lead SOIC PACKAGE NOTES:

1. Dimensions and tolerance per ANSI Y14.5M-1982.
2. Dimensions A and B are datums and T is a datum surface.
3. Controlling dimensions: Millimeters
4. Dimension A and B do not include mold flash. Mold flash shall not exceed 0.15mm [0.006] per side.
5. Dimension D does not include interlead flash. Interlead flash shall not exceed 0.25 mm [0.010].

Information furnished is believed to be accurate and reliable. However, users should independently evaluate the suitability of each product for their applications. Oki Semiconductor assumes no responsibility for the use of its product or for any infringement of patents or other rights of third parties resulting from the use of its product. No license is granted by implication or otherwise under any patent or proprietary right of Oki Semiconductor except the right to use such product for the purpose for which it is sold. Oki Semiconductor reserves the right to change or update, without notice, any information contained in this publication; to change, without notice, the design, construction, processing, or specification of any product; and to discontinue or limit production or distribution of any product. This publication supersedes and replaces all information previously supplied. Without express written consent by an officer of Oki Semiconductor, Oki Semiconductor does not authorize the use of any its products as components in nuclear facility applications, aerospace, or in critical life support devices or systems. Oki Semiconductor's only obligations are those in the Oki Semiconductor Standard Terms and Conditions of Sale and in no case will Oki Semiconductor be liable for any incidental, indirect, or consequential damages arising from the sale, resale, use, or misuse of its products.

Raychem is a trademark of Tyco Electronics Corporation

© 2006 Oki Semiconductor