

Pb Free

RoHS Compliant

Features

- Ultra-miniature SMD type (3.2x2.5x1.0mm)
- AFC function available
- Frequency stability : $\pm 0.5 \times 10^{-6} / -30$ to $+85^\circ\text{C}$
- 2.3 to 3.5V drive available
- Reflow compatible

Applications

- GPS

How to Order

KT3225F 16367 A C V 28 T AA
① ② ③ ④ ⑤ ⑥ ⑦ ⑧

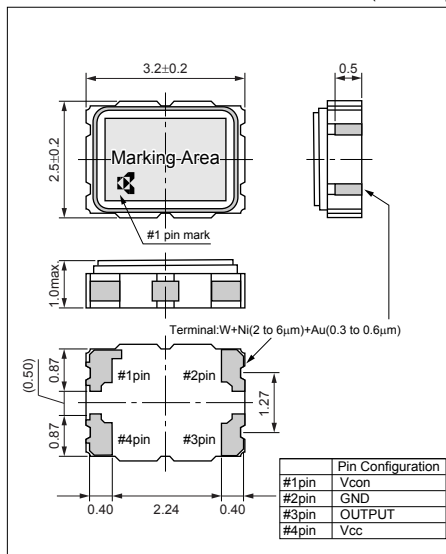
① Series	A	$\pm 0.5 \times 10^{-6}$
② Output Frequency	28	2.8V 30 3.0V
③ Frequency Tolerance	C	-30°C
④ Lower Operating Temp.	E	-20°C
	G	-10°C
⑤ Upper Operating Temp.	W	+85°C
	V	+80°C
	U	+75°C
⑥ Supply Voltage	28	2.8V 30 3.0V
⑦ Voltage Control Range	TCXO	T
⑧ Option Code	AA	

Specifications

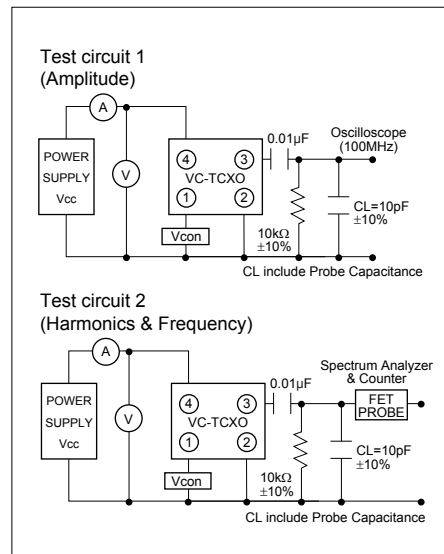
Item	Symbol	Conditions	Min.	Max.	Units
Output Frequency	Fo		12.6	40	MHz
Frequency Tolerance	F _{tol}	vs Temperature	-0.5	+0.5	$\times 10^{-6}$
		vs Load	-0.2	+0.2	
		vs Voltage	-0.3	+0.3	
Frequency Aging	F _{aging}	Per Year	-1	+1	$\times 10^{-6}$
Storage Temperature Range	T _{stg}		-40	+85	°C
Operating Temperature Range	T _{use}		-30	+85	°C
Supply Voltage	Vcc		2.3	3.5	V
Output Level	Vpp	10k ohm // 10pF	0.8	—	Vp-p
Current Consumption	I _{DD}		—	2	mA
Symmetry	SYM	@50% V _{DD}	40	60	%
Harmonics	—		—	-5	dBc

Dimensions

(Unit : mm)



Test Circuit



Recommended Land Pattern

(Unit : mm)

