



Pb Free

RoHS Compliant

Features

- Crystal unit for audio-visual, office equipment
- Miniature and low profile (3.2x2.5x0.55mm)
- Ceramic package
- A lead free product
- Reflow compatible

Applications

- Digital Electronics
- Audio-Visual, Office Equipment

How to Order

CX3225SB 24000 D0 P E S ZZ
 ① ② ③ ④ ⑤ ⑥ ⑦

① Code

② Typical Frequencies

Code	Freq.(kHz)	Code	Freq.(kHz)
12000	12000.000	25000	25000.000
13560	13560.000	26000	26000.000
14318	14318.180	27000	27000.000
14745	14745.600	27120	27120.000
16000	16000.000	30000	30000.000
18432	18432.000	33000	33000.000
20000	20000.000	33333	33333.000
22579	22579.000	40000	40000.000
24000	24000.000	48000	48000.000
24576	24576.000	54000	54000.000

*Please inquire about frequencies other than the above.

③ Load Capacitance

D0	8pF
-----------	-----

④ Frequency Stability

P	$\pm 50 \times 10^{-6}$
----------	-------------------------

⑤ Operating Temperature Range

E	-10°C to +70°C
----------	----------------

⑥ Frequency Temperature Stability

S	$\pm 50 \times 10^{-6}$
----------	-------------------------

⑦ Special

ZZ	Custom Specification
-----------	----------------------

Specifications

Items	Symbol	Specification	Units	Remarks
Frequency Range	f _{nom}	12000 to 54000	kHz	
Overtone Order	OT	Fundamental	—	
Frequency Tolerance	f _{tol}	±50	×10 ⁻⁶	@ 25°C
Frequency Temp. Characteristics	f _{tem}	±50	×10 ⁻⁶	ref.@ 25°C Over Operating Temp. Range
Motional Series Resistance	R1	Table 1	ohm	
Level of Drive	DL	Table 2	μW	
Load Capacitance	CL	8	pF	
Operating Temp. Range	T _{use}	-10 to +70	°C	
Storage Temp. Range	T _{stg}	-40 to +85	°C	

*Please inquire about specifications other than the above.

Table1 Motional Series Resistances

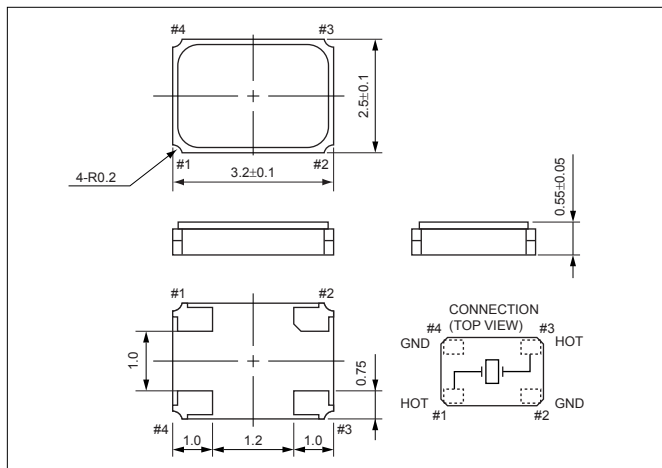
Frequency Range	Motional Series Resistance	Units
12000 to 13999kHz	300	ohm
14000 to 15999kHz	200	
16000 to 26999kHz	100	
27000 to 54000kHz	50	

Table2 Level of Drive

Frequency Range	Level of Drive	Units
12000 to 54000kHz	10 (100 max.)	μW

Dimensions

(Unit : mm)



Recommended Land Pattern

(Unit : mm)

