

Pb Free

RoHS Compliant

Features

- "H" type leadless ceramic package (Reflow soldering compatible)
- With tri-state function (High Z)
- $\pm 15 \times 10^{-6}$ / -40 to +85°C available

Applications

- High Stability Clock Oscillation Wireless LAN (Standard Frequency 44, 40, 22, 20MHz)

How to Order

KC5032H 40.0000 C 3 L D 00
 ① ② ③ ④ ⑤ ⑥ ⑦

- ① Type
- ② Output Frequency
- ③ Output Type (CMOS)
- ④ Supply Voltage (2.7 to 5.5V)
- ⑤ Frequency Tolerance ($TC = \pm 15 \times 10^{-6}$)
- ⑥ Symmetry/Enable Function (45/55%, INH)
- ⑦ Customer Special Model Suffix (STD Specification is "00")

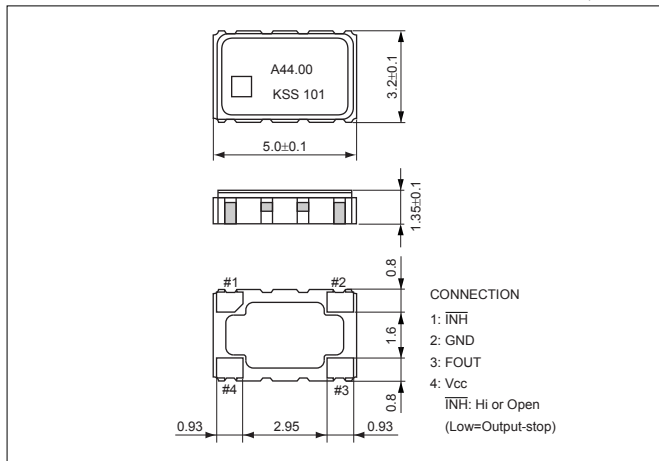
Specifications

Items	Symbol	Conditions	Specifications		Units
			Min.	Max.	
Output Frequency Range	F ₀		1.5	50	MHz
Frequency Tolerance (Overall)	F _{tol}		-15	+15	$\times 10^{-6}$
Storage Temperature Range	T _{stg}		-55	+125	°C
Operating Temperature Range	T _{use}		-40	+85	°C
Max. Supply Voltage	—		-0.6	6	V
Supply Voltage	V _{DD}		2.7	5.5	V
Current Consumption	I _{DD}	1.5 to 25MHz	—	7	mA
		25 to 55MHz	—	10	
Stand-by Current	I _{std}		—	50	μA
Symmetry	SYM	@50% V _{DD}	45	55	%
Rise / Fall Time	Tr/Tf		—	6	nS
Output Voltage-"L"	V _{OL}		—	10% V _{DD}	V
Output Voltage-"H"	V _{OH}		90% V _{DD}	—	V
Output Load	CL		—	15	pF
Input Voltage Range	V _{IN}		0	V _{DD}	V
Input Voltage-"L"	V _{IL}		70% V _{DD}	—	V
Input Voltage-"H"	V _{IH}		—	30% V _{DD}	V
Start-up Time	ST	1.5 to 25MHz	—	1.5	mS
		25 to 55MHz	—	1	

Note: All electrical characteristics are defined at the maximum load and operating temperature range.
 Please contact us for inquires about operating temperature range, available frequencies and other conditions.

Dimensions

(Unit : mm)



Recommended Land Pattern

(Unit : mm)

