



Pb Free

RoHS Compliant

Features

- Compact oscillator with a CMOS IC built in that is the same shape (height 3.5mm) as a crystal device
- It is a hermetic sealed type with a metal case
- The case comes with a grounding terminal
- It is also possible to attach a stand-off (option)
- It is provided with multiple standard frequencies

Applications

- Amusement

How to Order

KCJXOx- 20.000 C 5 1 C 00
 ① ② ③ ④ ⑤ ⑥ ⑦

- ① Type (KCJXO5 or KCJXO7)
- ② Output Frequency
- ③ Output Type (CMOS)
- ④ Supply Voltage (5.0V)
- ⑤ Frequency Tolerance
- ⑥ Symmetry/Enable Function (40/60%)
- ⑦ Customer Special Model Suffix
 "00" for Standard Specifications
 "S0" for Stand-off Type
 "F0" for SMD Type

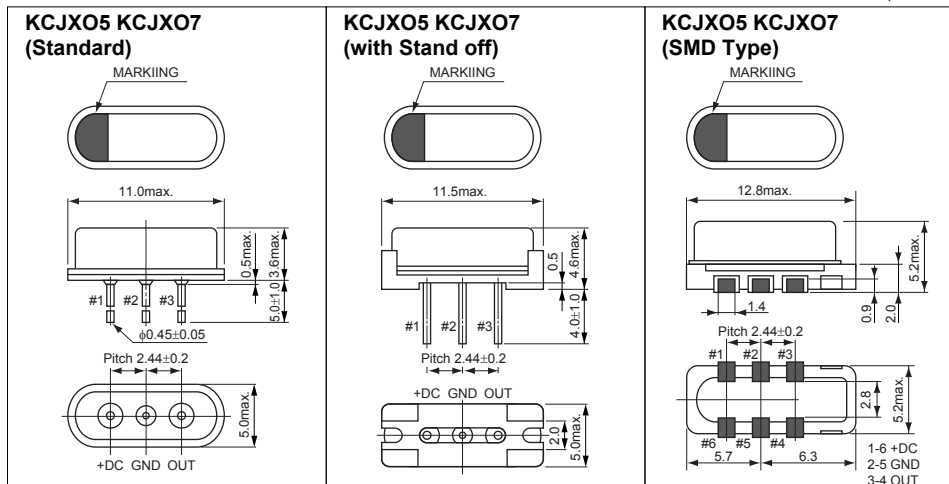
Specifications

Items	Symbol	Conditions	Specifications		Units
			Min.	Max.	
Output Frequency Range	F ₀	KCJXO5 Type	1	20	MHz
		KCJXO7 Type	20.1	70	
Frequency Tolerance (Overall)	F _{tol}		-100	+100	×10 ⁻⁶
Storage Temperature Range	T _{stg}		-20	+80	°C
Operating Temperature Range	T _{use}		-10	+70	°C
Supply Voltage	V _{DD}		4.5	5.5	V
Current Consumption	I _{DD}	KCJXO5 Type (1 to 20MHz)	-	20	mA
		KCJXO7 Type (20.1 to 50MHz)	-	25	
		KCJXO7 Type (50.1 to 70MHz)	-	50	
Symmetry	SYM	@50% V _{DD}	40	60	%
Rise / Fall Time	Tr/Tf	KCJXO5 Type (1 to 20MHz)	-	20	nS
		KCJXO7 Type (20.1 to 50MHz)	-	15	
		KCJXO7 Type (50.1 to 70MHz)	-	10	
Output Voltage-"L"	V _{OL}		-	10% V _{DD}	V
Output Voltage-"H"	V _{OH}		90% V _{DD}	-	V
Output Load	CL	KCJXO5 Type (1 to 20MHz)	-	50	pF
		KCJXO7 Type (20.1 to 70MHz)	-	15	
Start-up Time	ST	KCJXO5 Type (1 to 20MHz)	-	3	mS
		KCJXO7 Type (20.1 to 70MHz)	-	10	

Note: All electrical characteristics are defined at the maximum load and operating temperature range.
 Please contact us for inquiries about operating temperature range, available frequencies and other conditions.

Dimensions

(Unit : mm)



Recommended Land Pattern (Unit : mm)

