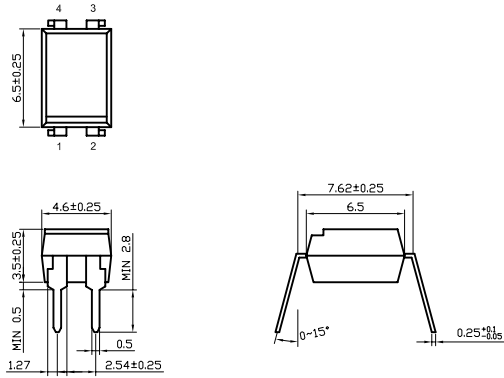
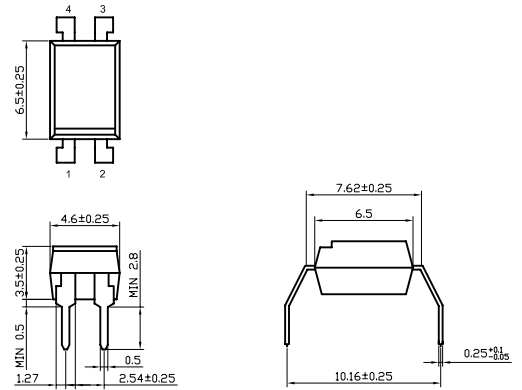


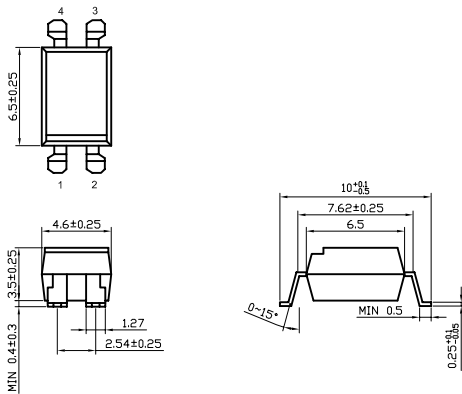
4-pin DIP



4-pin DIP (VDE)

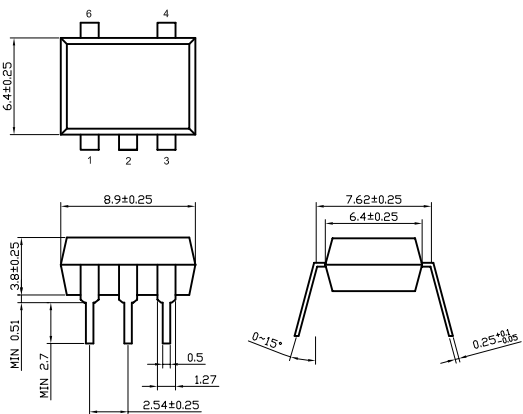


4-pin DIP (SMD)

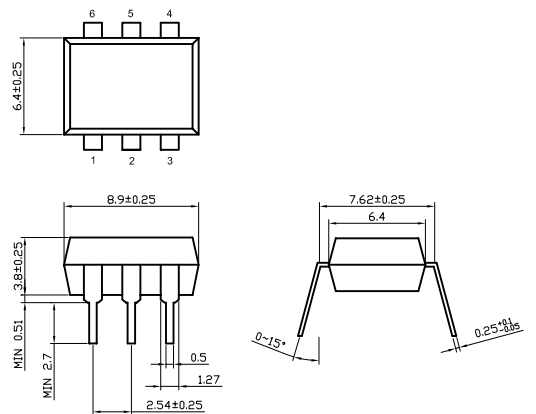


Schareggstrasse 3, CH-5506 Mägenwil  
 Tel. +41 62 896 00 48, Fax. +41 62 896 25 80  
 info@admaterc.ch, www.admaterc.ch

5-pin DIP



6-pin DIP

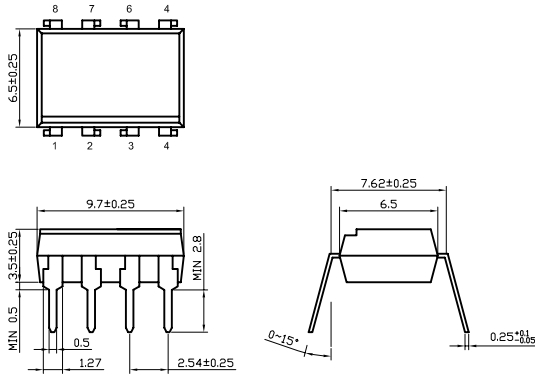


# Package Dimensions

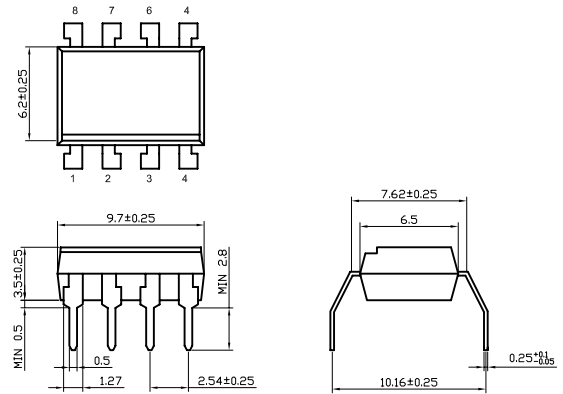


Unit : mm

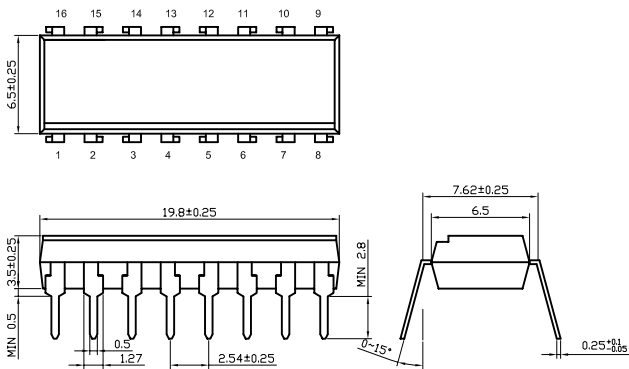
## 8-pin DIP



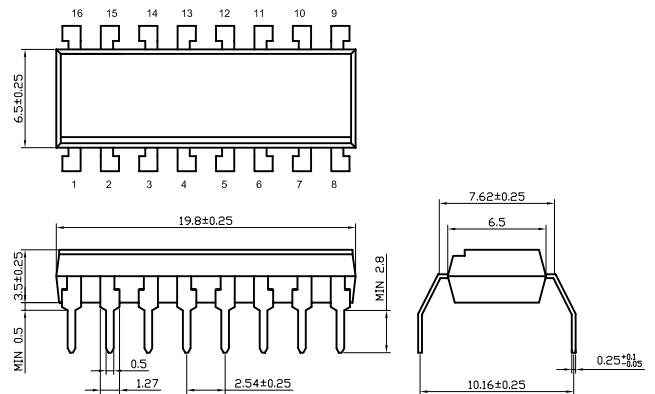
## 8-pin DIP (VDE)



## 16-pin DIP



## 16-pin DIP (VDE)



# Marking Specification

