

SO DIMM Sockel RoHS conform

Order Information

| SODIMM | xxx | x | xx | T | xx | A |
|---------------|------------------------|--------------------------------|--------------------------------------|--------------------------|--|------------|
| | Contacts 200 144 | Version Standard Reverse | Height 4.0 mm 5.2 mm 9.2 mm | Packing code T = Tray | Power supply 1.8V 2.5V 3.3V 5.0V | Revision A |

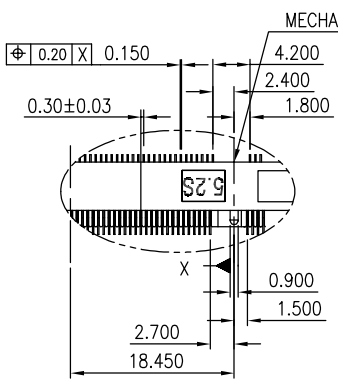
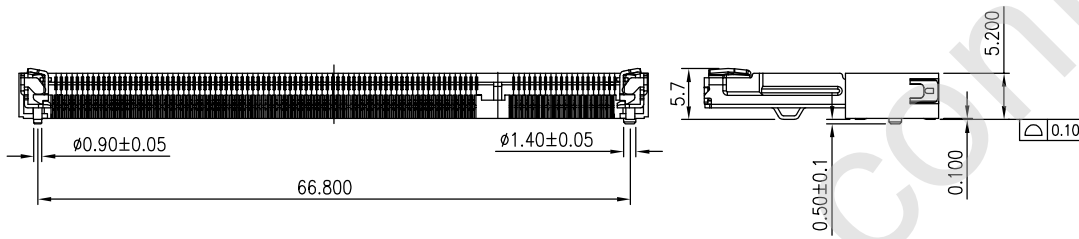
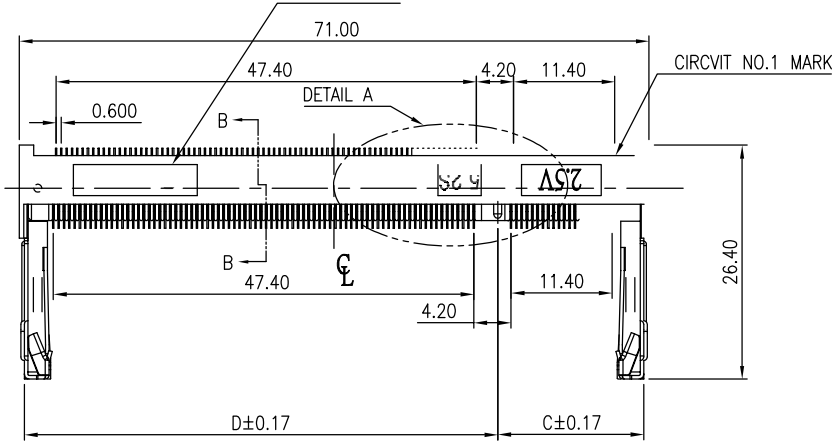
Kontaktdaten:

Deutschland:
 admatec GmbH ♦ Wendenstrasse 29 ♦ D - 20097 Hamburg
 fon: +49(0)40-238533-0 ♦ fax: +49(0)40-238533-11
 web: www.admatec.de ♦ e-mail: info@admatec.de

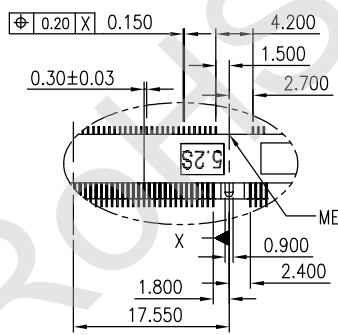
Schweiz:
 admatec AG ♦ Schareggstrasse 3 ♦ CH – 5506 Mägenwil
 fon: +41(0)62-8960048 ♦ fax: +41(0)62-8962580
 web: www.admatec.ch ♦ e-mail: info@admatec.ch

3RD ANGLE PROJECTION

METRIC



POWER SUPPLY 2.5V



POWER SUPPLY 1.8V

DETAIL A VOLTAGE OPTION

| | | |
|--|--------|--|
| | C±0.17 | |
| | 17.37 | |
| | r.47 | |

NOTES:

1. MATERIAL:
 - 1.1 HOUSING: LCP WITH 30% G.F. UL 94V-0, IVORY.
 - 1.2 CONTACT: BRASS
 - 1.3 LATCH: STEEL-K7
2. FINISH:
 - 2.1 CONTACT: GOLD PLATED ON CONTACT & SOLDERING END OVER 50u" MIN. NICKEL UNDER-PLATING.
 - 2.2 LATCH: 60~100u" SN ONLY (MATTE OR SHINE) PLATING OVER 50u" MIN. NICKEL UNDERPLATING

www.admatec.com

PRINT DIST DW

| | | | | | |
|---------------------------------------|-------|-------|-------|--|------------------|
| TOLERANCES UNLESS OTHERWISE SPECIFIED | | DWN | ashun | | SODIMM200S52TxxA |
| .X | ±0.38 | X. | ±2' | 14-FEB-2006 | |
| .XX | ±0.25 | .X | ±1' | CHK | |
| .XXX | ±0.15 | | | APVD | NAME |
| MATERIAL | | UNITS | | DDR S.O.DIMM SOCKET 0.6MM PITCH, 200 PIN , 5.2 MM HEIGHT, STANDARD B-TYPE (RoHS) | |
| FINISH | | MM | | SIZE | REV |
| SEE NOTE | | | | A4 | A3 |
| SEE NOTE | | | | DRAWING NO | SHEET |
| LTR | | DATE | | 1 : 1 | 1 OF 3 |

| | | | |
|-----|-----------------|----------|-------------|
| A3 | NEW RELEASED | EN950209 | 14-FEB-2006 |
| A0 | NEW RELEASED | EN940803 | 18-AUG-2005 |
| LTR | REVISION RECORD | ECN | DATE |

8 | 7 | 6 | 5 | 4 | 3 | 2 | 1

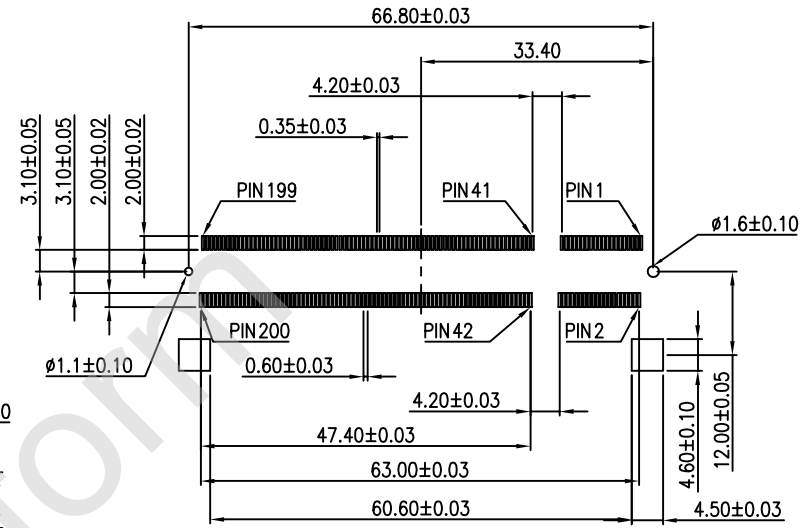
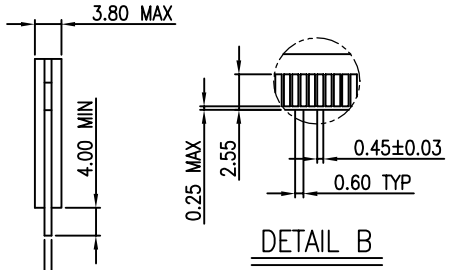
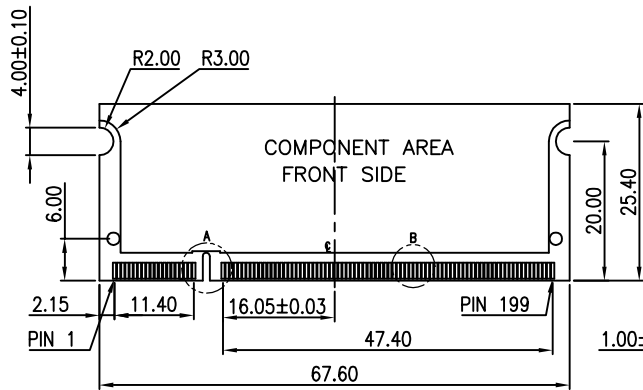


METRIC

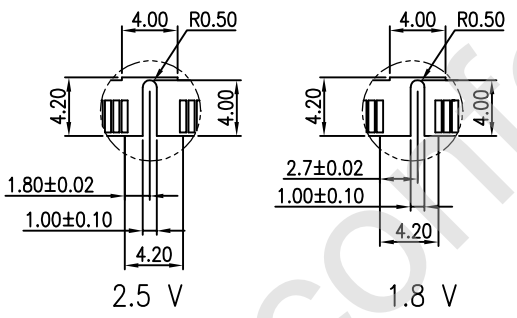
www.admatec.com

admatec

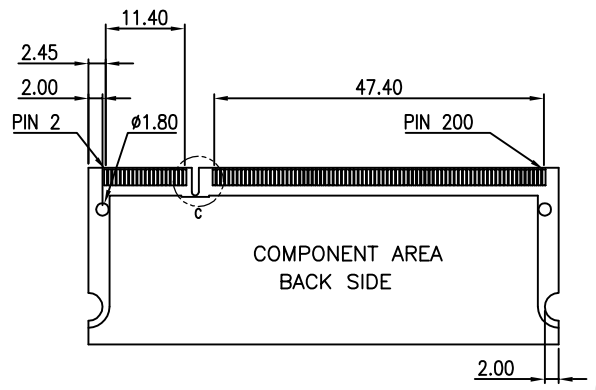
PRINT DIST DW



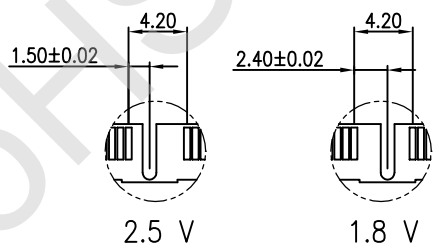
RECOMMENDED P.C.BOARD LAYOUT.



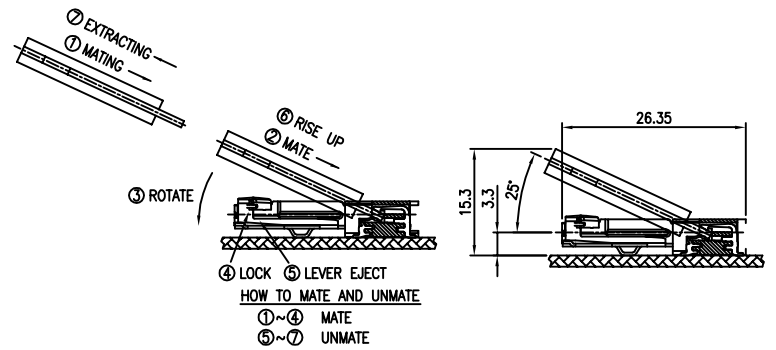
DETAIL A



RECOMMENDED MODULE CONFIGURATION.



DETAIL C



HOW TO MATE AND UNMATE

| | | | | |
|---------------------------------------|--------|-----------|-------------|------------|
| TOLERANCES UNLESS OTHERWISE SPECIFIED | | DWN | ashun | |
| .X ±0.38 | X. ±2' | | 14-FEB-2006 | |
| .XX ±0.25 | .X ±1' | CHK | | |
| .XXX ±0.15 | | MATERIAL | APVD | |
| SEE NOTE | | UNITS | MM | |
| FINISH | | SEE NOTE | | SIZE |
| | | | | A4 |
| | | | | DRAWING NO |
| | | | | S102006-1 |
| | | | | REV |
| | | | | A3 |
| | | CAD SCALE | | SHEET |
| | | 1 : 1 | | 2 OF 3 |

SODIMM200S52TxxA

NAME
DDR S.O.DIMM SOCKET 0.6MM PITCH,
200 PIN , 5.2 MM HEIGHT,
STANDARD B-TYPE (RoHS)

SIZE
A4

DRAWING NO
S102006-1

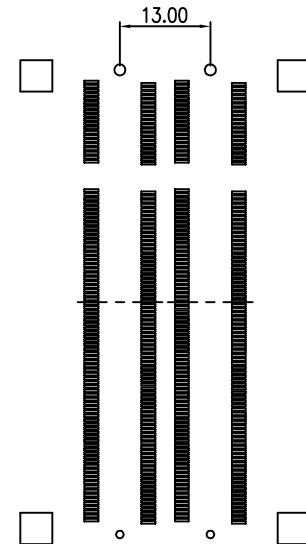
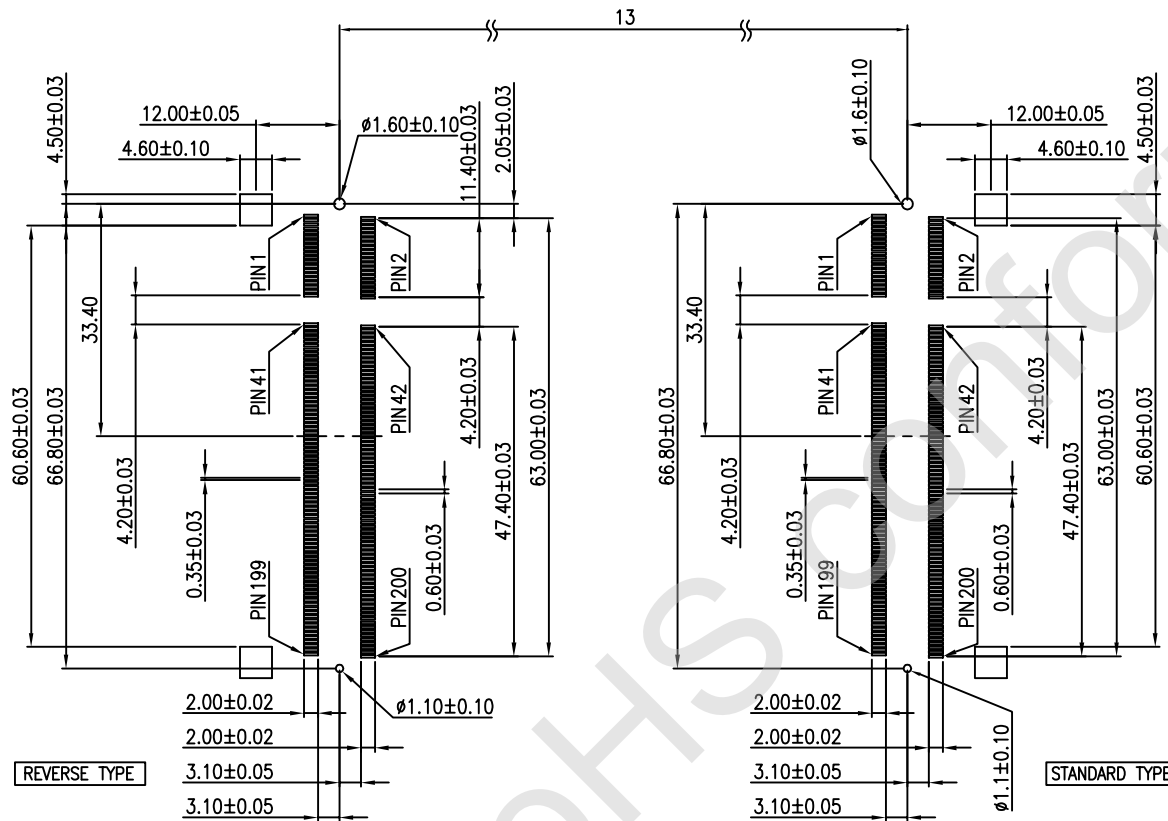
REV
A3

CAD SCALE
1 : 1

SHEET
2 OF 3

8 | 7 | 6 | 5 | 4 | 3 | 2 | 1

D
C
B
A



REAL SIZE (SCALE : 1:1)

| | | | | |
|---------------------------------------|----------|------------------|--|-----|
| TOLERANCES UNLESS OTHERWISE SPECIFIED | | DWN | ashun | |
| .X ±0.38 | X. ±2' | 14-FEB-2006 | | |
| .XX ±0.25 | .X ±1' | CHK | NAME | |
| .XXX ±0.15 | | SODIMM200S52TxxA | | |
| MATERIAL | SEE NOTE | APVD | DDR S.O.DIMM SOCKET 0.6MM PITCH, 200 PIN , 5.2 MM HEIGHT, STANDARD B-TYPE (RoHS) | |
| FINISH | SEE NOTE | UNITS | MM | |
| | | SIZE | DRAWING NO | REV |
| | | A4 | S102006-1 | A3 |
| | | CAD SCALE | SHEET | |
| | | 1 : 1 | 3 OF 3 | |