

FEATURES

- Standard stacking heights are 20, 24 and 30mm (0.79", 0.95", 1.18")
- Other stack heights from 18mm (0.70") to 30mm (1.18") are available
- 8832E Series will mate with 8800/8801/8802 Series
- Alignment features designed into connector on each end
- Features the KEL patented 2 mating points per contact design
- RoHS compliance

Note) *Does not mate with 8822E/8825E

*Please consult our local sales office about non-standard stacking heights

SPECIFICATIONS

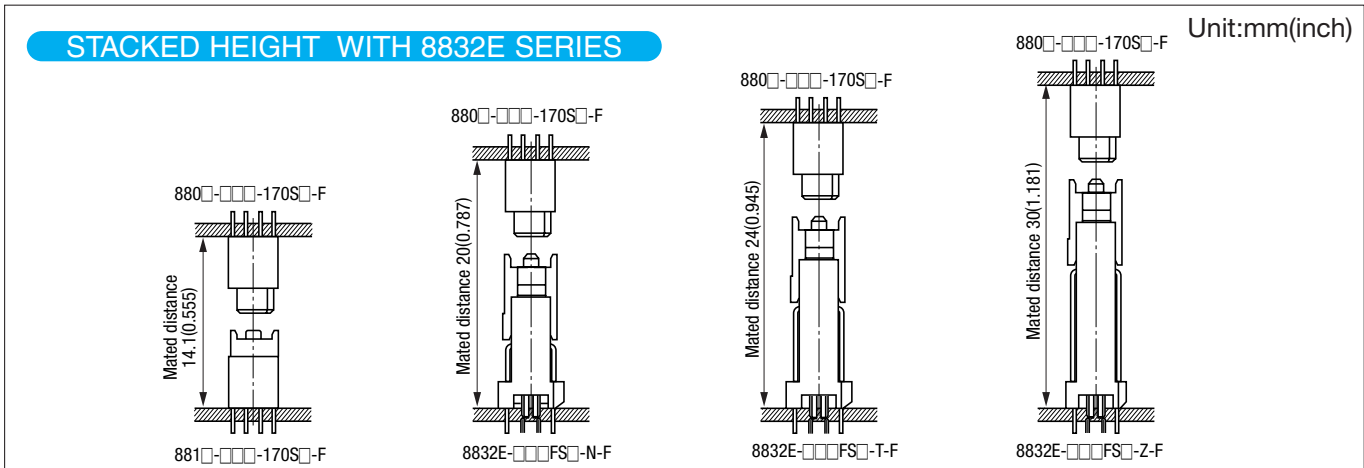
- Insulator : Glass-filled Nylon 66 (UL 94V-0), Black
Spacer with alignment plate
Glass-filled Nylon 46 (UL 94V-0), Black
- Contact : Phosphor Bronze
- Plating :
Contact area ; Gold over Nickel
(1) Standard : 0.05 μ m min. Gold
(2) Upon request : 0.25 μ m min. Gold
Terminal area ; 2 μ m min. Tin copper over Nickel
- Current rating : 0.5A per contact
- Contact resistance : 25m Ω (Excluding conductor resistance)
- Dielectric withstanding voltage : 650V AC for 1 minute
- Insulation resistance : 1,000M Ω min. at 500V DC
- Operating temperature : -55°C to +85°C
- Insertion force (Typical example):
1.9kg max. / 20 pin 3.8kg max. / 40 pin
5.7kg max. / 60 pin 9.5kg max. / 100 pin
- Withdrawal force (Typical example):
0.3kg min. / 20 pin 0.8kg min. / 40 pin
1.2kg min. / 60 pin 2.0kg min. / 100 pin

* Please consult our local sales office about 0.25 μ m (10 μ ') Gold Plating. (Orders require min. quantity)

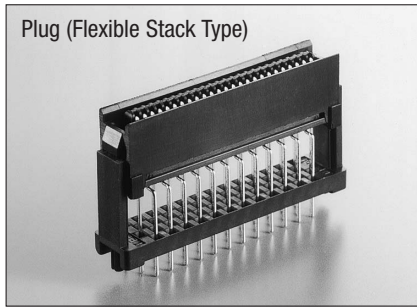
ORDER CODE

8832E- -FS- - -F

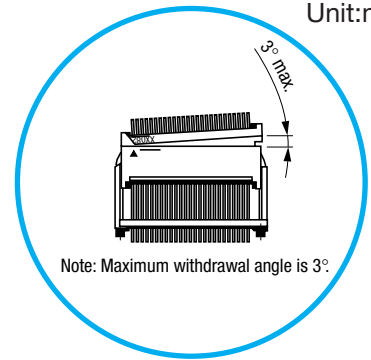
- **F** : RoHS Compliance
- Stacked height
N : For mating height of 20mm
T : For mating height of 24mm
Z : For mating height of 30mm
- Plating of contact area
Omit : Au 0.05 μ m (Standard)
D : Au 0.25 μ m (Upon request)
- Contact tail style
FS : Flexible stacking
- Number of contacts
020 : 20 pin
030 : 30 pin
040 : 40 pin
050 : 50 pin
060 : 60 pin
080 : 80 pin
100 : 100 pin
- Series name
8832E : Plug, With positioning posts



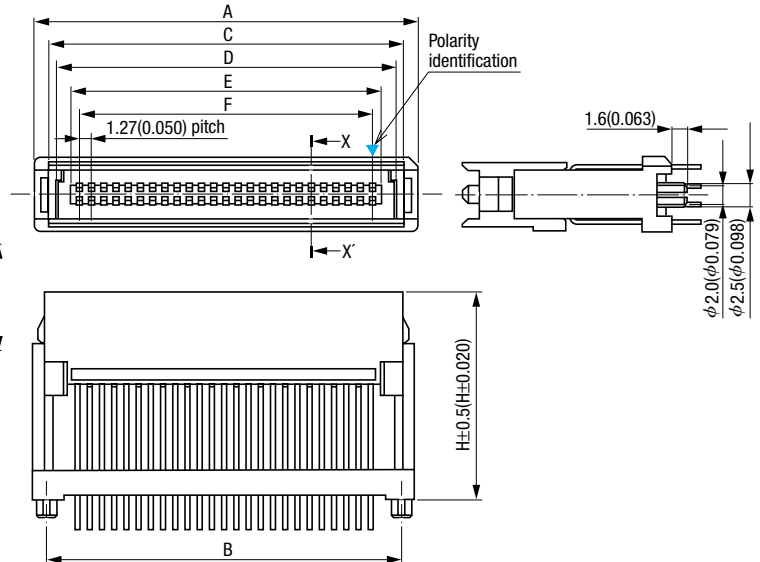
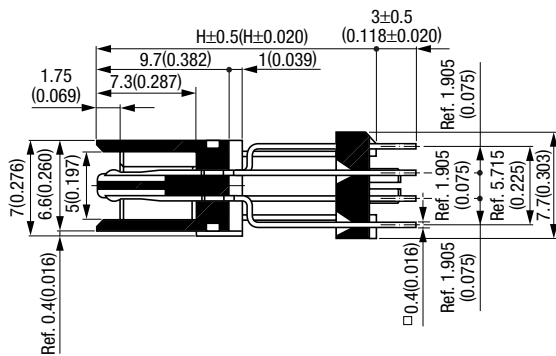
8832E-□□□ FS□-F (Plug)



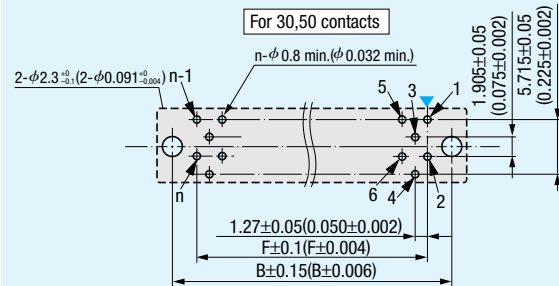
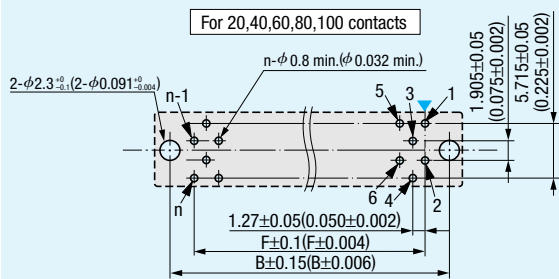
Schareggstrasse 3, CH-5506 Mägenwil
Tel. +41 62 896 00 48, Fax. +41 62 896 25 80
info@admatec.ch, www.admatec.ch



X-X' Cross Section



Printed Circuit Board Layout (Component Side View)



▼=Polarity identification
Recommended PCB Thickness t=1.6±0.19(0.063±0.007)
"n" is number of contacts.

Stack height

Part Number	Stack height	H
8832E-□□□ FS□-N-F	20 (0.787)	16.6 (0.654)
8832E-□□□ FS□-T-F	24 (0.945)	20.6 (0.811)
8832E-□□□ FS□-Z-F	30 (1.181)	26.6 (1.047)

Product Table / Dimensions

No. of contacts	Part Number	A	B	C	D	E	F
20	8832E-020 FS□-□-F	20.63 (0.812)	17.78 (0.700)	17.83 (0.702)	15.83 (0.623)	13.13 (0.517)	11.43 (0.450)
30	8832E-030 FS□-□-F	26.98 (1.062)	24.13 (0.950)	24.18 (0.952)	22.18 (0.873)	19.48 (0.767)	17.78 (0.700)
40	8832E-040 FS□-□-F	33.33 (1.312)	30.48 (1.200)	30.53 (1.202)	28.53 (1.123)	25.83 (1.017)	24.13 (0.950)
50	8832E-050 FS□-□-F	39.68 (1.562)	36.83 (1.450)	36.88 (1.452)	34.88 (1.373)	32.18 (1.267)	30.48 (1.200)
60	8832E-060 FS□-□-F	46.03 (1.812)	43.18 (1.700)	43.23 (1.702)	41.23 (1.623)	38.53 (1.517)	36.83 (1.450)
80	8832E-080 FS□-□-F	58.73 (2.312)	55.88 (2.200)	55.93 (2.202)	53.93 (2.123)	51.23 (2.017)	49.53 (1.950)
100	8832E-100 FS□-□-F	71.43 (2.812)	68.58 (2.700)	68.63 (2.702)	66.63 (2.623)	63.93 (2.517)	62.23 (2.450)

Specifications and dimensions are subject to change without notice.