

**ORDER CODE**

**6100-  -602-F**

- Series name
- No. of contacts :
  - 010 : 10pin
  - 014 : 14pin
  - 016 : 16pin
  - 020 : 20pin
  - 024 : 24pin
  - 026 : 26pin
- Contact name
- F : RoHS Compliance

**FEATURES**

- Flat ribbon cable transition connector
- 2.54mm contact center dual in line terminals
- RoHS compliance

**SPECIFICATIONS**

- Accepts : #28 AWG (7/0.127), 1.27mm (50mil) pitch, Flat ribbon cable
- Current Rating : 1A per contact
- Contact Resistance : 16mΩ max.
- Insulation Resistance : 1000MΩ min. at 500V DC
- Dielectric Withstanding Voltage : 800V AC for 1 minute

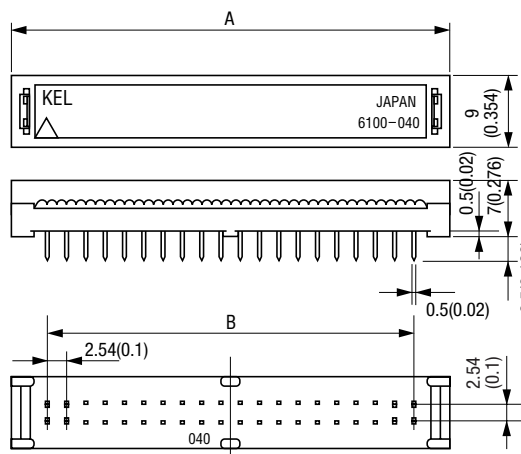
**MATERIAL**

- Insulator : Glass-filled P.B.T. (UN94V-0), Black
- Contact : Copper Alloy
- Contact Finish : Gold over Nickel on IDC terminals  
Gold over Nickel (terminal area)

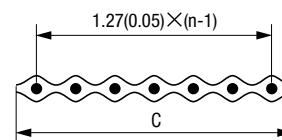


Schareggstrasse 3, CH-5506 Mägenwil  
Tel. +41 62 896 00 48, Fax. +41 62 896 25 80  
info@admatec.ch, www.admatec.ch

**6100-  -602-F**



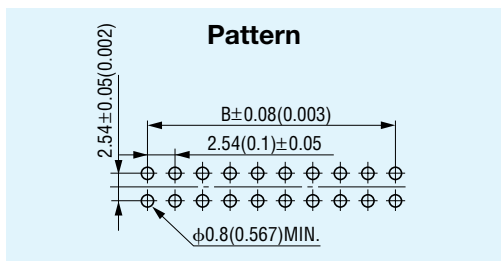
Unit:mm(inch)

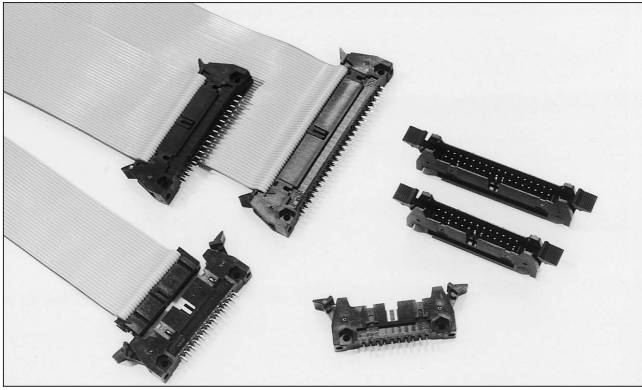


End (4) contacts are kinked to hold connector to PC board during wave soldering.

**Dimensions**

No. of contacts	Part No.	A	B	C
10	6100-010-602-F	19.16 (0.754)	10.16 (0.400)	12.70 (0.500)
14	6100-014-602-F	24.24 (0.954)	15.24 (0.600)	17.78 (0.700)
16	6100-016-602-F	26.78 (1.054)	17.78 (0.700)	20.32 (0.800)
20	6100-020-602-F	31.86 (1.254)	22.86 (0.900)	25.40 (1.000)
24	6100-024-602-F	36.94 (1.454)	27.94 (1.100)	30.48 (1.200)
26	6100-026-602-F	39.48 (1.554)	30.48 (1.200)	33.02 (1.300)
30	6100-030-602-F	44.56 (1.754)	35.56 (1.400)	38.10 (1.500)
34	6100-034-602-F	49.64 (1.954)	40.64 (1.600)	43.18 (1.700)
40	6100-040-602-F	57.26 (2.254)	48.26 (1.900)	50.80 (2.000)
50	6100-050-602-F	69.96 (2.754)	60.96 (2.400)	63.50 (2.500)
60	6100-060-602-F	82.66 (3.254)	73.66 (2.900)	76.20 (3.000)



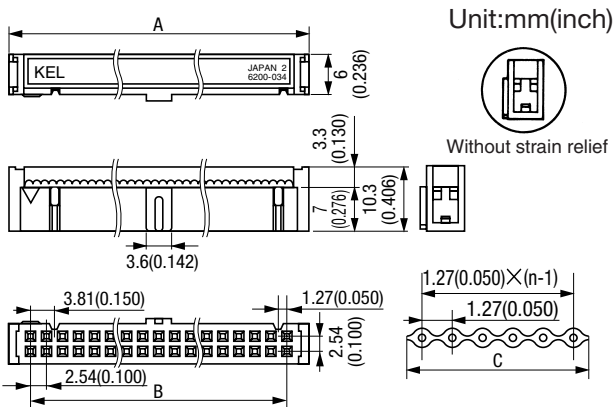


**ORDER CODE**

**6200** - [ ] - **601** - **F**  
**6200S** - [ ] - **25** - **F**

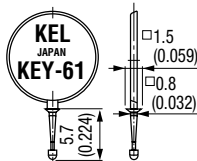
- F : RoHS Compliance
- Contact name
- No. of contacts :
  - 010 : 10pin    030 : 30pin
  - 014 : 14pin    034 : 34pin
  - 016 : 16pin    040 : 40pin
  - 020 : 20pin    050 : 50pin
  - 026 : 26pin    060 : 60pin
- Without strain relief
- Series name

**6200S- [ ] -601-F(Receptacle)**



**Dimensions**

No. of contacts	Part No.	A	B	C
10	6200-010-601-F	17.27 (0.680)	10.16 (0.400)	12.70 (0.500)
14	6200-014-601-F	22.35 (0.880)	15.24 (0.600)	17.78 (0.700)
16	6200-016-601-F	24.89 (0.980)	17.78 (0.700)	20.32 (0.800)
20	6200-020-601-F	29.97 (1.180)	22.86 (0.900)	25.40 (1.000)
26	6200-026-601-F	37.59 (1.480)	30.48 (1.200)	33.02 (1.300)
30	6200-030-601-F	42.67 (1.680)	35.56 (1.400)	38.10 (1.500)
34	6200-034-601-F	47.75 (1.880)	40.64 (1.600)	43.18 (1.700)
40	6200-040-601-F	55.37 (2.180)	48.26 (1.900)	50.80 (2.000)
50	6200-050-601-F	68.07 (2.680)	60.96 (2.400)	63.50 (2.500)
60	6200-060-601-F	80.77 (3.180)	73.66 (2.900)	76.20 (3.000)



**FEATURES**

- Combination of socket and header per MIL-C-83503
- RoHS compliance

**SPECIFICATIONS**

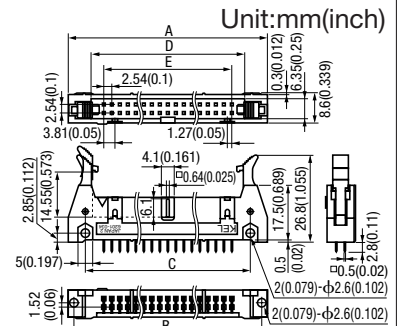
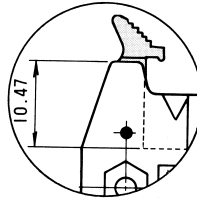
- Socket Accepts : #28AWG(7/0.127),1.27mm (50mil)pitch,Flat ribbon cable
- Current Rating : 1A per contact
- Contact Resistance : 16mΩ max.
- Insulation Resistance : 1000MΩ min. at 500V DC
- Dielectric Withstanding Voltage : 800V AC for 1minute

**MATERIAL**

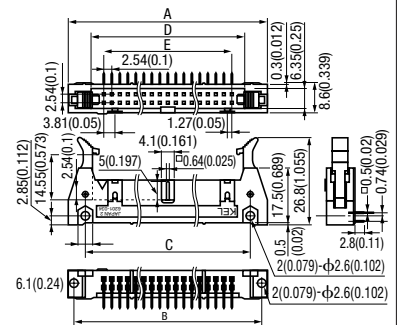
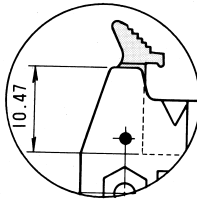
- Insulator : Glass-filled P.B.T. (UL94V-0)
- Contact : Copper Alloy
- Contact Finish : Gold over Nickel (contact area)  
Gold over Nickel (Terminal area)

**6200 [ ] - [ ] -25 [ ] -F(Plug)**

- 6201S (Short Latch)

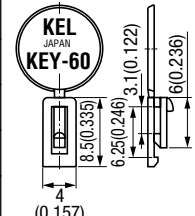


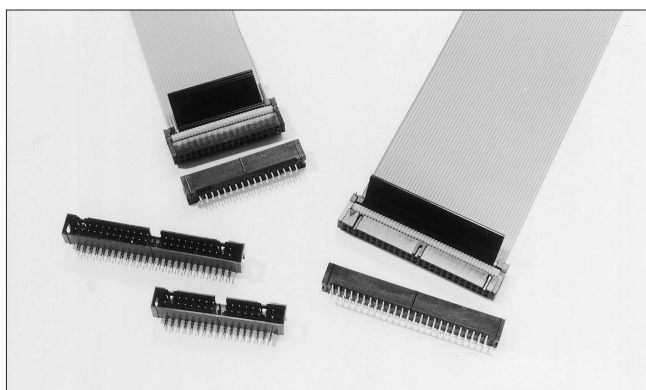
- 6201S (Short Latch)



**Dimensions**

No. of contacts	Part No.	A	B	C	D	E
10	6201-010-256-F*258-F	32.00 (1.260)	27.94 (1.100)	21.84 (0.860)	17.53 (0.690)	10.16 (0.400)
14	6201-014-256-F*258-F	37.08 (1.460)	33.02 (1.300)	26.92 (1.060)	22.61 (0.890)	15.24 (0.600)
16	6201-016-256-F*258-F	39.62 (1.560)	35.56 (1.400)	29.46 (1.160)	25.15 (0.990)	17.78 (0.700)
20	6201-020-256-F*258-F	44.70 (1.760)	40.64 (1.600)	34.54 (1.360)	30.23 (1.190)	22.86 (0.900)
26	6201-026-256-F*258-F	52.32 (2.059)	48.26 (1.900)	42.16 (1.660)	37.85 (1.490)	30.48 (1.200)
30	6201-030-256-F*258-F	57.40 (2.260)	53.34 (2.100)	47.24 (1.860)	42.93 (1.690)	35.56 (1.400)
34	6201-034-256-F*258-F	62.48 (2.460)	58.42 (2.300)	52.32 (2.060)	48.01 (1.890)	40.64 (1.600)
40	6201-040-256-F*258-F	70.10 (2.760)	66.04 (2.600)	59.94 (2.360)	55.63 (2.190)	48.26 (1.900)
50	6201-050-256-F*258-F	82.80 (3.260)	78.74 (3.100)	72.64 (2.860)	68.33 (2.690)	60.96 (2.400)
60	6201-060-256-F*258-F	95.50 (3.760)	91.44 (3.600)	85.34 (3.360)	81.03 (3.190)	73.66 (2.900)



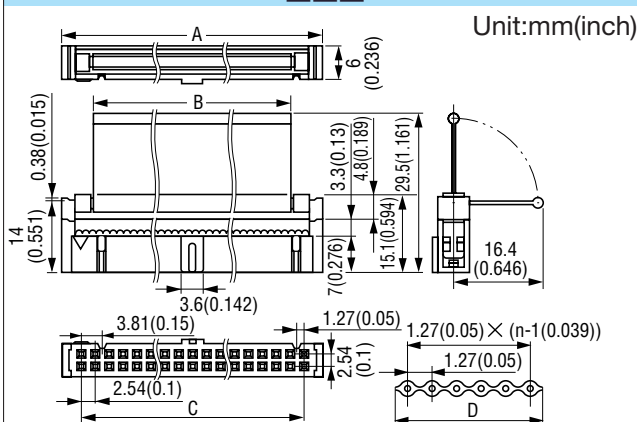


● ORDER CODE

**623** - [ ] - [ ] - **F**

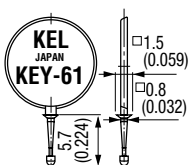
- F : RoHS Compliance
- Contact name  
255 : header(Right angle)  
257 : header(Straight)  
601 : Receptacle
- No. of contacts :  
010 : 10pin 030 : 30pin  
014 : 14pin 034 : 34pin  
016 : 16pin 040 : 40pin  
020 : 20pin 050 : 50pin  
026 : 26pin 060 : 60pin
- Series  
6230 : Receptacle  
6231 : Plug

**6230** - [ ] - [ ] - **601-F**



■ Dimensions

No. of contacts	Part No.	A	B	C	D
10	6230-010-601-F	17.27 (0.680)	6.0 (0.236)	10.16 (0.400)	12.70 (0.500)
14	6230-014-601-F	22.35 (0.880)	11.5 (0.453)	15.24 (0.600)	17.78 (0.700)
16	6230-016-601-F	24.89 (0.980)	14.0 (0.551)	17.78 (0.700)	20.32 (0.800)
20	6230-020-601-F	29.97 (1.180)	19.0 (0.748)	22.86 (0.900)	25.40 (1.000)
26	6230-026-601-F	37.59 (1.480)	26.5 (1.043)	30.48 (1.200)	33.02 (1.300)
30	6230-030-601-F	42.67 (1.680)	31.5 (1.240)	35.56 (1.400)	38.10 (1.500)
34	6230-034-601-F	47.75 (1.880)	36.5 (1.437)	40.64 (1.600)	43.18 (1.700)
40	6230-040-601-F	55.37 (2.180)	44.5 (1.752)	48.26 (1.900)	50.80 (2.000)
50	6230-050-601-F	68.07 (2.680)	57.0 (2.244)	60.96 (2.400)	63.50 (2.500)
60	6230-060-601-F	80.77 (3.180)	69.5 (2.736)	73.66 (2.900)	76.20 (3.000)



FEATURES

- Combination of box header and socket with pull tab
- RoHS compliance

SPECIFICATIONS

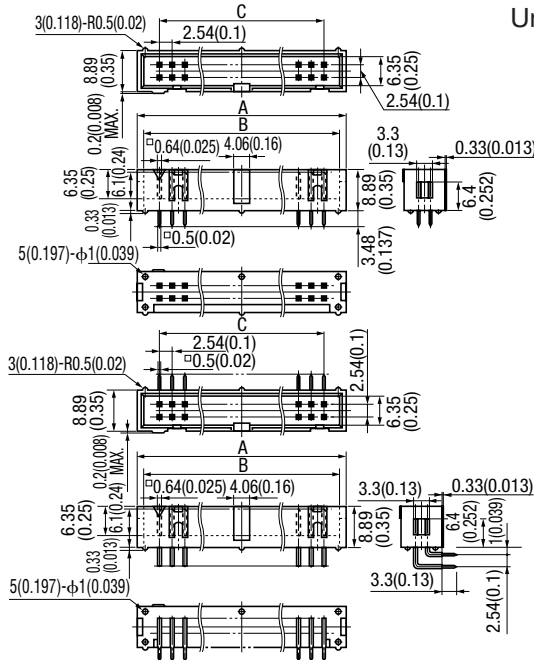
- Socket Accepts : #28AWG(7/0.127), 1.27mm (50mil) pitch, Flat ribbon cable
- Current Rating : 1A per contact
- Contact Resistance : 16mΩ max.
- Insulation Resistance : 1000MΩ min. at 500V DC
- Dielectric Withstanding Voltage : 800V AC for 1 minute

MATERIAL

- Insulator : Glass-filled P.B.T. (UL94V-0), Black
- Contact : Copper Alloy
- Contact Finish : Gold over Nickel (contact area)  
Gold over Nickel (terminal area)

**6231** - [ ] - [ ] - **25** - **F**(Header)

Unit:mm(inch)



■ Dimensions

No. of contacts	Part No.	A	B	C
10	6231-010-255 257-F	20.02 (0.788)	17.78 (0.700)	10.16 (0.400)
14	6231-014-255 257-F	25.10 (0.988)	22.86 (0.900)	15.24 (0.600)
16	6231-016-255 257-F	27.64 (1.088)	25.40 (1.000)	17.78 (0.700)
20	6231-020-255 257-F	32.72 (1.288)	30.48 (1.200)	22.86 (0.900)
26	6231-026-255 257-F	40.34 (1.588)	38.10 (1.500)	30.48 (1.200)
30	6231-030-255 257-F	45.42 (1.788)	43.18 (1.700)	35.56 (1.400)
34	6231-034-255 257-F	50.50 (1.988)	48.26 (1.900)	40.64 (1.600)
40	6231-040-255 257-F	58.12 (2.288)	55.88 (2.200)	48.26 (1.900)
50	6231-050-255 257-F	70.82 (2.788)	68.58 (2.700)	60.96 (2.400)
60	6231-060-255 257-F	83.52 (3.288)	81.28 (3.200)	73.66 (3.200)

